

Breather caps

with splash guard and flat dipstick, technopolymer

COVER

- Polyamide based (PA) technopolymer, semi-matte finish.
- SFP+a.: RAL 2004 orange, marked "OIL".
- SFP+a.....C9: RAL 9005 black colour, marked "OIL".
- SFP+a.....C2-N: RAL 2004 orange, without "OIL" mark.
- SFP+a.....C9-N: RAL 9005 black colour, without "OIL" mark.

THREADED FITTING

Polyamide based (PA) technopolymer, black colour, semi-matte finish.

PACKING RING

NBR synthetic rubber.

FLAT DIPSTICK

Flat section phosphatised steel.
On request and for sufficient quantities dipstick can be supplied in different lengths and/or complete with MAX-MIN level lines.

SPLASH GUARD

Technopolymer.

STANDARD EXECUTIONS

- **SFP+a**: without air filter (black splash guard).
- **SFP+F+a**: D = 31, 42 and 57 with "tech-fil" air filter in zinc-plated steel wire (orange splash guard); D = 70 with "tech-foam" air filter in polyurethane foam mesh (polyester base), air filtration 40 μ (grey splash guard).
- **SFP-BA+F+a**: with "tech-foam" air filter in polyurethane foam mesh (polyester base), air filtration 40 μ (grey splash guard). Zinc-plated steel sheet bayonet.

MAXIMUM CONTINUOUS WORKING TEMPERATURE

100°C.

FEATURES AND APPLICATIONS

SFP+a breather caps come complete with splash guard device (ELESa originale design) that prevents oil loss and are particularly suitable for use where oil is violently agitated and could be splashed against the breather cap.



ELESa Original design

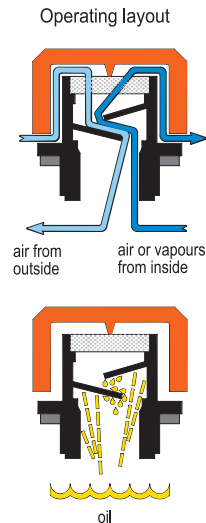
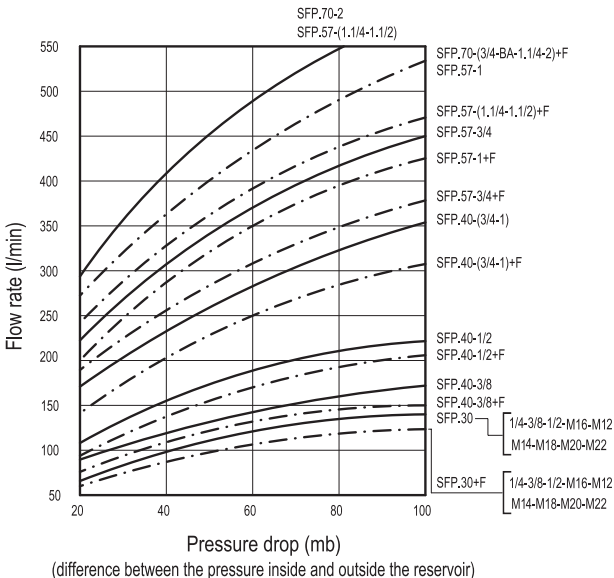


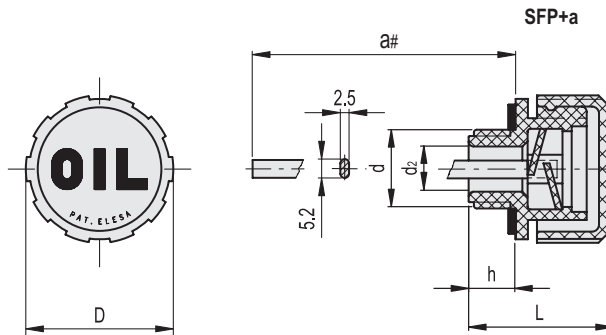
TECHNICAL DATA

Air flow rate for each model can be determined from the graph calculating the difference between the pressure inside and outside the reservoir.

SPECIAL EXECUTION ON REQUEST

Threaded connector also with NPT thread (National Taper Pipe Thread - ANSI-ASME B1-20) for the codes marked with # in the table.

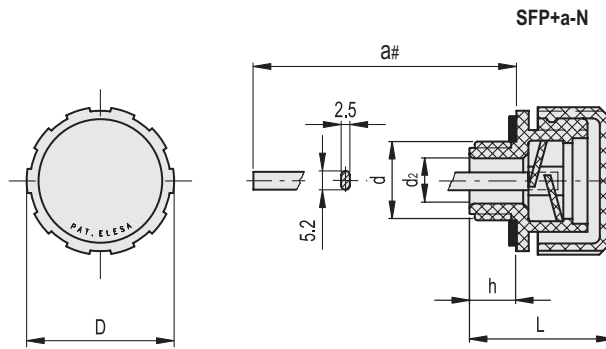
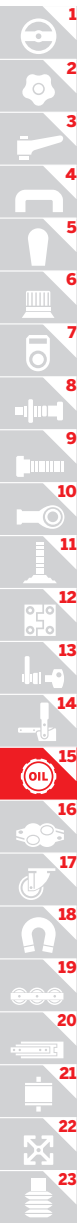




SFP+a

Code	Description	D	d	a#	L	d2	h	⚖
54146	SFP.30-12x1.5+a	31	M12x1.5	188	29.5	6	9.5	30
54146-C9	SFP.30-12x1.5+a-C9	31	M12x1.5	188	29.5	6	9.5	30
54166	SFP.30-14x1.5+a	31	M14x1.5	188	29.5	8	9.5	30
54166-C9	SFP.30-14x1.5+a-C9	31	M14x1.5	188	29.5	8	9.5	30
53946	SFP.30-16x1.5+a	31	M16x1.5	188	29.5	10	9.5	36
53946-C9	SFP.30-16x1.5+a-C9	31	M16x1.5	188	29.5	10	9.5	36
53966	SFP.30-18x1.5+a	31	M18x1.5	188	29.5	10	9.5	38
53966-C9	SFP.30-18x1.5+a-C9	31	M18x1.5	188	29.5	10	9.5	38
53983	SFP.30-20x1.5+a	31	M20x1.5	188	29.5	12	9.5	38
53983-C9	SFP.30-20x1.5+a-C9	31	M20x1.5	188	29.5	12	9.5	38
53993	SFP.30-22x1.5+a	31	M22x1.5	188	29.5	12	9.5	33
53993-C9	SFP.30-22x1.5+a-C9	31	M22x1.5	188	29.5	12	9.5	33
53936	SFP.30-1/4+a	31	G1/4	188	29.5	8	9.5	35
53936-C9	SFP.30-1/4+a-C9	31	G1/4	188	29.5	8	9.5	35
54011	SFP.30-3/8+a	31	G3/8	188	29.5	10	9.5	33
54011-C9	SFP.30-3/8+a-C9	31	G3/8	188	29.5	10	9.5	37
54111	SFP.30-1/2+a	31	G1/2	188	29.5	12	9.5	38
54111-C9	SFP.30-1/2+a-C9	31	G1/2	188	29.5	12	9.5	38
54211	SFP.40-3/4+a	42	G3/4	184	36.5	18	11.5	48
54211-C9	SFP.40-3/4+a-C9	42	G3/4	184	36.5	18	11.5	48
54311	SFP.40-1+a	42	G1	184	36.5	18	11.5	48
54311-C9	SFP.40-1+a-C9	42	G1	184	36.5	18	11.5	48
54411	SFP.57-1¼+a	57	G1 1/4	184	44	28	16	67
54411-C9	SFP.57-1¼+a-C9	57	G1 1/4	184	44	28	16	67
54511	SFP.57-1½+a	57	G1 1/2	184	44	28	16	69
54511-C9	SFP.57-1½+a-C9	57	G1 1/2	184	44	28	16	69
54877	SFP.70-2+a	70	G2	179	59	23	17	103
54877-C9	SFP.70-2+a-C9	70	G2	179	59	23	17	103

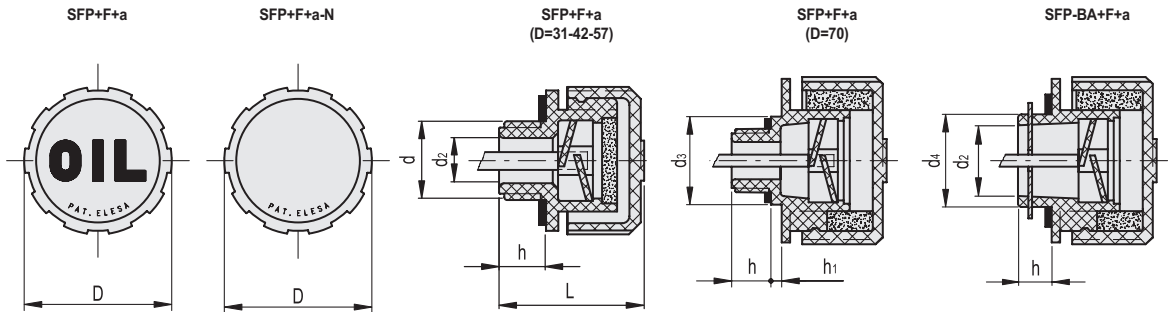




SFP+a-N

Code	Description	D	d	a#	L	d2	h	⚖
54146-C2-N	SFP.30-12x1.5+a-C2-N	31	M12x1.5	188	29.5	6	9.5	30
54146-C9-N	SFP.30-12x1.5+a-C9-N	31	M12x1.5	188	29.5	6	9.5	30
54166-C2-N	SFP.30-14x1.5+a-C2-N	31	M14x1.5	188	29.5	8	9.5	30
54166-C9-N	SFP.30-14x1.5+a-C9-N	31	M14x1.5	188	29.5	8	9.5	30
53946-C2-N	SFP.30-16x1.5+a-C2-N	31	M16x1.5	188	29.5	10	9.5	36
53946-C9-N	SFP.30-16x1.5+a-C9-N	31	M16x1.5	188	29.5	10	9.5	36
53966-C2-N	SFP.30-18x1.5+a-C2-N	31	M18x1.5	188	29.5	10	9.5	38
53966-C9-N	SFP.30-18x1.5+a-C9-N	31	M18x1.5	188	29.5	10	9.5	38
53983-C2-N	SFP.30-20x1.5+a-C2-N	31	M20x1.5	188	29.5	12	9.5	38
53983-C9-N	SFP.30-20x1.5+a-C9-N	31	M20x1.5	188	29.5	12	9.5	38
53993-C2-N	SFP.30-22x1.5+a-C2-N	31	M22x1.5	188	29.5	12	9.5	33
53993-C9-N	SFP.30-22x1.5+a-C9-N	31	M22x1.5	188	29.5	12	9.5	33
53936-C2-N	SFP.30-1/4+a-C2-N	31	G1/4	188	29.5	8	9.5	35
53936-C9-N	SFP.30-1/4+a-C9-N	31	G1/4	188	29.5	8	9.5	35
54011-C2-N	SFP.30-3/8+a-C2-N	31	G3/8	188	29.5	10	9.5	37
54011-C9-N	SFP.30-3/8+a-C9-N	31	G3/8	188	29.5	10	9.5	37
54111-C2-N	SFP.30-1/2+a-C2-N	31	G1/2	188	29.5	12	9.5	38
54111-C9-N	SFP.30-1/2+a-C9-N	31	G1/2	188	29.5	12	9.5	38
54211-C2-N	SFP.40-3/4+a-C2-N	42	G3/4	184	36.5	18	11.5	48
54211-C9-N	SFP.40-3/4+a-C9-N	42	G3/4	184	36.5	18	11.5	48
54311-C2-N	SFP.40-1+a-C2-N	42	G1	184	36.5	18	11.5	48
54311-C9-N	SFP.40-1+a-C9-N	42	G1	184	36.5	18	11.5	48
54411-C2-N	SFP.57-1¼+a-C2-N	57	G1¼	184	44	28	16	67
54411-C9-N	SFP.57-1¼+a-C9-N	57	G1¼	184	44	28	16	67
54511-C2-N	SFP.57-1½+a-C2-N	57	G1½	184	44	28	16	69
54511-C9-N	SFP.57-1½+a-C9-N	57	G1½	184	44	28	16	69
54877-C2-N	SFP.70-2+a-C2-N	70	G2	179	59	23	17	103
54877-C9-N	SFP.70-2+a-C9-N	70	G2	179	59	23	17	103

Accessories for hydraulic systems 15



SFP+F+a

Code	Description	D	d	a#	L	d2	d3	h	h1	⚖
54156	SFP.30-12x1.5+F FIL+a	31	M12x1.5	188	29.5	6	-	9.5	-	30
54156-C9	SFP.30-12x1.5+F FIL+a-C9	31	M12x1.5	188	29.5	6	-	9.5	-	30
54176	SFP.30-14x1.5+F FIL+a	31	M14x1.5	188	29.5	8	-	9.5	-	30
54176-C9	SFP.30-14x1.5+F FIL+a-C9	31	M14x1.5	188	29.5	8	-	9.5	-	30
53956	SFP.30-16x1.5+F+a	31	M16x1.5	188	29.5	10	-	9.5	-	34
53956-C9	SFP.30-16x1.5+F+a-C9	31	M16x1.5	188	29.5	10	-	9.5	-	34
53976	SFP.30-18x1.5+F+a	31	M18x1.5	188	29.5	10	-	9.5	-	39
53976-C9	SFP.30-18x1.5+F+a-C9	31	M18x1.5	188	29.5	10	-	9.5	-	39
53989	SFP.30-20x1.5+F+a	31	M20x1.5	188	29.5	12	-	9.5	-	38
53989-C9	SFP.30-20x1.5+F+a-C9	31	M20x1.5	188	29.5	12	-	9.5	-	38
53999	SFP.30-22x1.5+F+a	31	M22x1.5	188	29.5	12	-	9.5	-	40
53999-C9	SFP.30-22x1.5+F+a-C9	31	M22x1.5	188	29.5	12	-	9.5	-	40
53939	SFP.30-1/4+F+a	31	G1/4	188	29.5	8	-	9.5	-	39
53939-C9	SFP.30-1/4+F+a-C9	31	G1/4	188	29.5	8	-	9.5	-	38
54031	SFP.30-3/8+F+a	31	G3/8	188	29.5	10	-	9.5	-	38
54031-C9	SFP.30-3/8+F+a-C9	31	G3/8	188	29.5	10	-	9.5	-	38
54131	SFP.30-1/2+F+a	31	G1/2	188	29.5	12	-	9.5	-	39
54131-C9	SFP.30-1/2+F+a-C9	31	G1/2	188	29.5	12	-	9.5	-	39
54231	SFP.40-3/4+F+a	42	G3/4	184	36.5	18	-	11.5	-	55
54231-C9	SFP.40-3/4+F+a-C9	42	G3/4	184	36.5	18	-	11.5	-	55
54331	SFP.40-1+F+a	42	G1	184	36.5	18	-	11.5	-	54
54331-C9	SFP.40-1+F+a-C9	42	G1	184	36.5	18	-	11.5	-	54
54431	SFP.57-1¼+F+a	57	G1¼	184	44	28	-	16	-	80
54431-C9	SFP.57-1¼+F+a-C9	57	G1¼	184	44	28	-	16	-	74
54531	SFP.57-1½+F+a	57	G1½	184	44	28	-	16	-	79
54531-C9	SFP.57-1½+F+a-C9	57	G1½	184	44	28	-	16	-	79
54853	SFP.70-3/4+F+a	70	G3/4	173	63	16	35	15	6	107
54853-C9	SFP.70-3/4+F+a-C9	70	G3/4	173	63	16	35	15	6	107
54863	SFP.70-1¼+F+a	70	G1¼	179	59	23	-	17	-	105
54863-C9	SFP.70-1¼+F+a-C9	70	G1¼	179	59	23	-	17	-	105
54879	SFP.70-2+F+a	70	G2	179	59	23	-	17	-	106
54879-C9	SFP.70-2+F+a-C9	70	G2	179	59	23	-	17	-	106





SFP+F+a-N

Code	Description	D	d	a#	L	d2	d3	h	h1	△
54156-C2-N	SFP.30-12x1.5+F FIL+a-C2-N	31	M12x1.5	188	29.5	6	-	9.5	-	30
54156-C9-N	SFP.30-12x1.5+F FIL+a-C9-N	31	M12x1.5	188	29.5	6	-	9.5	-	30
54176-C2-N	SFP.30-14x1.5+F FIL+a-C2-N	31	M14x1.5	188	29.5	8	-	9.5	-	30
54176-C9-N	SFP.30-14x1.5+F FIL+a-C9-N	31	M14x1.5	188	29.5	8	-	9.5	-	30
53956-C2-N	SFP.30-16x1.5+F+a-C2-N	31	M16x1.5	188	29.5	10	-	9.5	-	34
53956-C9-N	SFP.30-16x1.5+F+a-C9-N	31	M16x1.5	188	29.5	10	-	9.5	-	34
53976-C2-N	SFP.30-18x1.5+F+a-C2-N	31	M18x1.5	188	29.5	10	-	9.5	-	39
53976-C9-N	SFP.30-18x1.5+F+a-C9-N	31	M18x1.5	188	29.5	10	-	9.5	-	39
53989-C2-N	SFP.30-20x1.5+F+a-C2-N	31	M20x1.5	188	29.5	12	-	9.5	-	38
53989-C9-N	SFP.30-20x1.5+F+a-C9-N	31	M20x1.5	188	29.5	12	-	9.5	-	38
53999-C2-N	SFP.30-22x1.5+F+a-C2-N	31	M22x1.5	188	29.5	12	-	9.5	-	40
53999-C9-N	SFP.30-22x1.5+F+a-C9-N	31	M22x1.5	188	29.5	12	-	9.5	-	40
53939-C2-N	SFP.30-1/4+F+a-C2-N	31	G1/4	188	29.5	8	-	9.5	-	38
53939-C9-N	SFP.30-1/4+F+a-C9-N	31	G1/4	188	29.5	8	-	9.5	-	38
54031-C2-N	SFP.30-3/8+F+a-C2-N	31	G3/8	188	29.5	10	-	9.5	-	38
54031-C9-N	SFP.30-3/8+F+a-C9-N	31	G3/8	188	29.5	10	-	9.5	-	38
54131-C2-N	SFP.30-1/2+F+a-C2-N	31	G1/2	188	29.5	12	-	9.5	-	39
54131-C9-N	SFP.30-1/2+F+a-C9-N	31	G1/2	188	29.5	12	-	9.5	-	39
54231-C2-N	SFP.40-3/4+F+a-C2-N	42	G3/4	184	36.5	18	-	11.5	-	55
54231-C9-N	SFP.40-3/4+F+a-C9-N	42	G3/4	184	36.5	18	-	11.5	-	55
54331-C2-N	SFP.40-1+F+a-C2-N	42	G1	184	36.5	18	-	11.5	-	54
54331-C9-N	SFP.40-1+F+a-C9-N	42	G1	184	36.5	18	-	11.5	-	54
54431-C2-N	SFP.57-1¼+F+a-C2-N	57	G1 1/4	184	44	28	-	16	-	74
54431-C9-N	SFP.57-1¼+F+a-C9-N	57	G1 1/4	184	44	28	-	16	-	74
54531-C2-N	SFP.57-1½+F+a-C2-N	57	G1 1/2	184	44	28	-	16	-	79
54531-C9-N	SFP.57-1½+F+a-C9-N	57	G1 1/2	184	44	28	-	16	-	79
54853-C2-N	SFP.70-3/4+F+a-C2-N	70	G3/4	173	63	16	35	15	6	107
54853-C9-N	SFP.70-3/4+F+a-C9-N	70	G3/4	173	63	16	35	15	6	107
54863-C2-N	SFP.70-1¼+F+a-C2-N	70	G1 1/4	179	59	23	-	17	-	105
54863-C9-N	SFP.70-1¼+F+a-C9-N	70	G1 1/4	179	59	23	-	17	-	105
54879-C2-N	SFP.70-2+F+a-C2-N	70	G2	179	59	23	-	17	-	106
54879-C9-N	SFP.70-2+F+a-C9-N	70	G2	179	59	23	-	17	-	106

SFP-BA+F-N

Code	Description	D	L	d2	d4	h	△
54881-C2-N	SFP.70-BA+F FOAM-C2-N	70	56	30	39	14	93
54881-C9-N	SFP.70-BA+F FOAM-C9-N	70	56	30	39	14	93

SFP-BA+F+a-N

Code	Description	D	a#	L	d2	d4	h	△
54883-C2-N	SFP.70-BA+F+a-C2-N	70	179	56	30	39	14	100
54883-C9-N	SFP.70-BA+F+a-C9-N	70	179	56	30	39	14	100