

Plugs

with flat dipstick, technopolymer up to 100°C

MATERIAL

Polyamide based (PA) technopolymer, black colour, matte finish.

PACKING RING

NBR synthetic rubber.

FLAT DIPSTICK

Flat section phosphatised steel.

On request and for sufficient quantities dipstick can be supplied in different lengths and/or complete with MAX-MIN level lines.

MAXIMUM CONTINUOUS WORKING TEMPERATURE

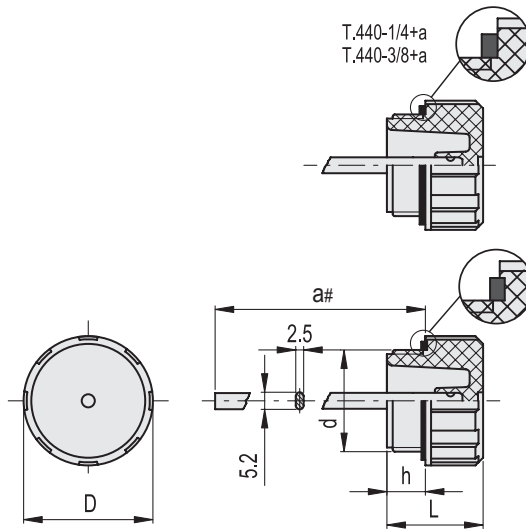
100°C.

SPECIAL EXECUTIONS ON REQUEST

Words, marks and graphic symbols can be tampprinted on the cap.



ELESA Original design



T.440+a

Code	Description	D	d	a#	h	L	△
157211	T.440-1/4+a	20.5	G1/4	192	9	19	27
157221	T.440-3/8+a	25	G3/8	192	9	21	31
157231	T.440-1/2+a	28.5	G1/2	189	11	25	35
157241	T.440-3/4+a	34.5	G3/4	188	12	27	45
157251	T.440-1+a	42.5	G1	188	13	28,5	55
157261	T.440-1¼+a	52	G1 1/4	185	13	32	78
157271	T.440-1½+a	57.5	G1 1/2	185	13	34	88