

## Hinged joint with mounting base and clamp

### Technopolymer

#### CLAMP AND BASE

Glass-fibre reinforced polyamide based (PA) technopolymer, RAL 9005 (C9) black colour or grey RAL 7040 (C33) colour, resistant to UV rays, matte finish.

#### SCREWS AND NUTS (SUPPLIED)

Cylindrical-head screw with hexagon socket in AISI 304 stainless steel with anti-seizure treatment.  
Self-locking nuts in AISI 304 stainless steel.

#### STANDARD EXECUTIONS

- **TCC-AP-PBF-T**: with teeth.
- **TCC-AP-PBF-S**: without teeth.

#### FEATURES

Joints comprising bases with external teeth and clamps with internal teeth (36 teeth) have a 10° adjustment angle.

Joints comprising bases and clamps without teeth can be positioned at any angle.

Clamps for tubes with a diameter of  $30 \pm 0.2$  mm.

For smaller diameter tubes, the hole reduction sleeve can be used TCC-A (to be ordered separately).

The "s" grub screws may be replaced by the kit TCC-KS.

#### TECHNICAL DATA

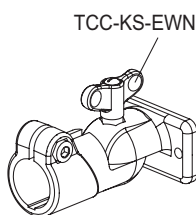
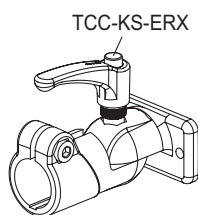
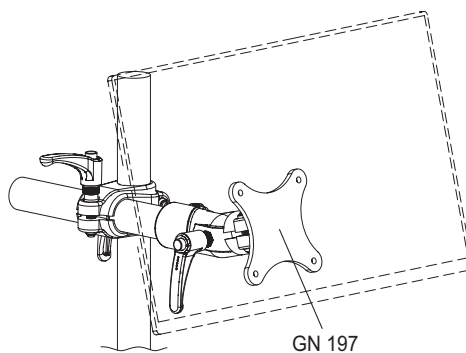
The resistance values shown in the table were measured during laboratory tests at ambient temperature with the screws tightened to the suggested torque "C#".

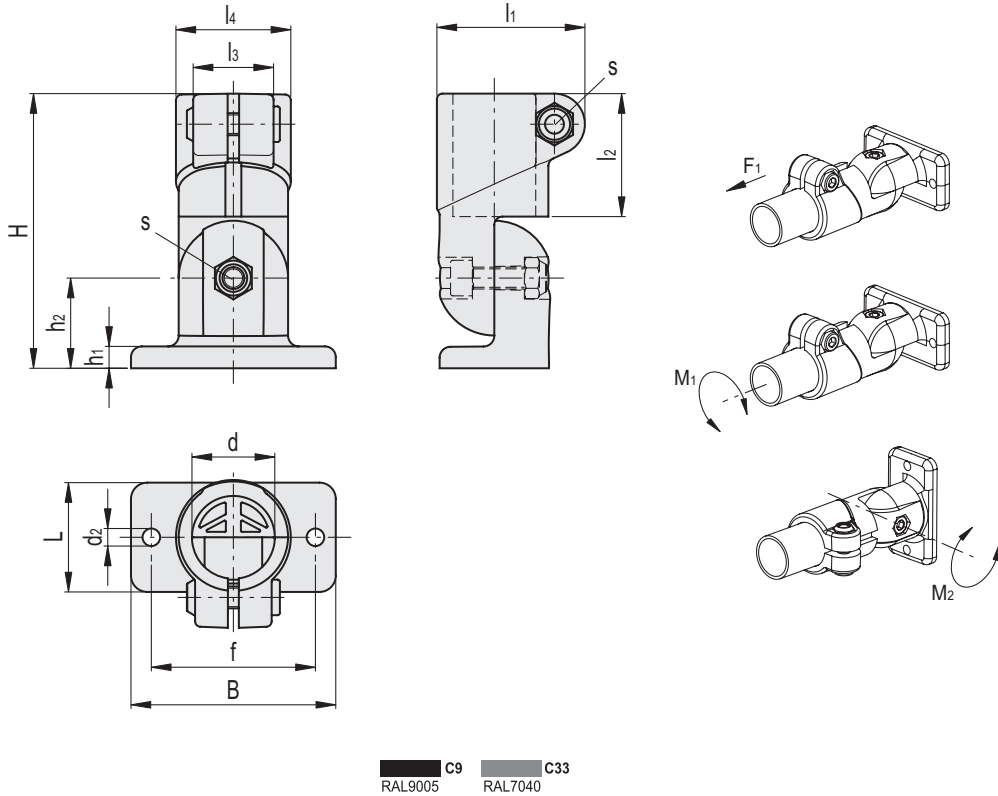
#### ACCESSORIES ON REQUEST (TO BE ORDERED SEPARATELY)

- TCC-A: reduction sleeves.
- TCC-KS: clamping kit.
- GN 197: monitor mounts.
- TCC-KV: screws and clamping nuts.
- GN 990: connecting tubes.



ELESA Original design





TCC-AP-PBF-T

STAINLESS STEEL

Code	Description	d	L	B	H	d <sub>2</sub>	f±0.2	h <sub>1</sub>	h <sub>2</sub>	l <sub>1</sub>	l <sub>2</sub>	l <sub>3</sub>	l <sub>4</sub>	s	C# [Nm]	F1* [N]	M1** [Nm]	M2*** [Nm]	⚖️
600731-C9	TCC-AP-PBF-18-T-C9	18	26.5	54	65	5.5	40	5	20	36	29.5	21	29	M6	5	900	8	32	51
600731-C33	TCC-AP-PBF-18-T-C33	18	26.5	54	65	5.5	40	5	20	36	29.5	21	29	M6	5	900	8	32	51
600831-C9	TCC-AP-PBF-30-T-C9	30	40	75	100	6.5	60	7.5	32.5	54	45	28	42	M8	12	3300	33	100	169
600831-C33	TCC-AP-PBF-30-T-C33	30	40	75	100	6.5	60	7.5	32.5	54	45	28	42	M8	12	3300	33	100	169

TCC-AP-PBF-S

STAINLESS STEEL

Code	Description	d	L	B	H	d <sub>2</sub>	f±0.2	h <sub>1</sub>	h <sub>2</sub>	l <sub>1</sub>	l <sub>2</sub>	l <sub>3</sub>	l <sub>4</sub>	s	C# [Nm]	F1* [N]	M1** [Nm]	M2*** [Nm]	⚖️
600732-C9	TCC-AP-PBF-18-S-C9	18	26.5	54	65	5.5	40	5	20	36	29.5	21	29	M6	5	900	8	2	51
600732-C33	TCC-AP-PBF-18-S-C33	18	26.5	54	65	5.5	40	5	20	36	29.5	21	29	M6	5	900	8	2	51
600832-C9	TCC-AP-PBF-30-S-C9	30	40	75	100	6.5	60	7.5	32.5	54	45	28	42	M8	12	3300	33	6	169
600832-C33	TCC-AP-PBF-30-S-C33	30	40	75	100	6.5	60	7.5	32.5	54	45	28	42	M8	12	3300	33	6	169

# Suggested torque for screw assembly.

\* Resistance to tube pull out

\*\* Resistance to tube rotation

\*\*\* Resistance to joint rotation.

