

## Screws and nuts for TCC

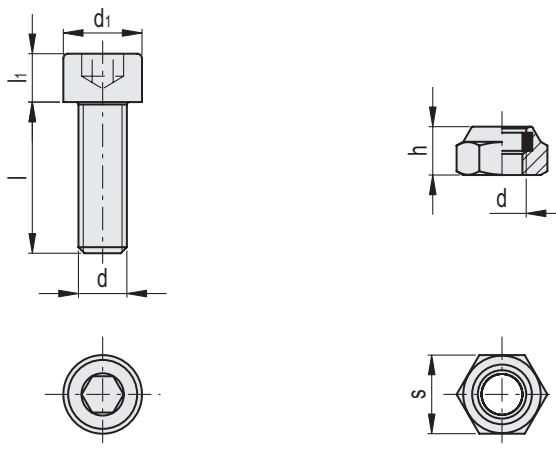
Stainless steel

### MATERIAL

AISI 304 stainless steel.

### STANDARD EXECUTION

Cylindrical-head screw with hexagon socket with anti-seizure treatment and self-locking nut.



STAINLESS STEEL

Code	Description	d	d1	h	l	l1	s	⚖
600706	TCC-KV-M6	M6	10	6	18	6	10	8
600708	TCC-KV-M8	M8	13	8	25	8	13	19