

Connecting clamps with sleeve

Technopolymer

CLAMP

Glass-fibre reinforced polyamide based (PA) technopolymer, RAL 9005 (C9) black colour or grey RAL 7040 (C33) colour, resistant to UV rays, matte finish.

SCREWS AND NUTS (SUPPLIED)

Cylindrical-head screw with hexagon socket in AISI 304 stainless steel with anti-seizure treatment.

Self-locking nuts in AISI 304 stainless steel.

FEATURES

Clamps for tubes with a diameter of 18 ± 0.2 and 30 ± 0.2 mm.

For smaller diameter tubes, the hole reduction sleeve TCC-A can be used (ordered separately).

The "s" grub screws may be replaced by the kit TCC-KS.

TECHNICAL DATA

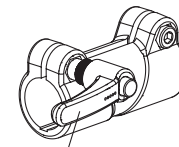
The resistance values shown in the table were measured during laboratory tests at ambient temperature with the screws tightened to the suggested torque "C#".

ACCESSORIES ON REQUEST (TO BE ORDERED SEPARATELY)

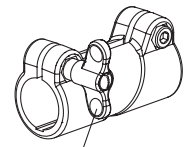
- TCC-A: reduction sleeves.
- TCC-KS: clamping kit.
- TCC-KV: screws and clamping nuts.
- GN 990: connecting tubes.



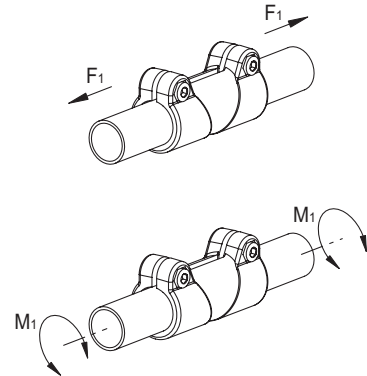
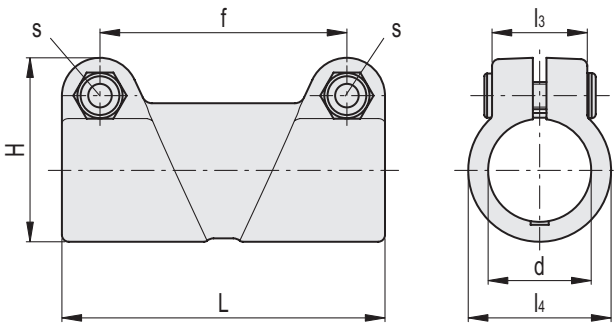
ELESA Original design



TCC-KS-ERX



TCC-KS-EWN



C9
 RAL9005
 C33
 RAL7040

STAINLESS STEEL

Code	Description	d	L	H	f	l3	l4	s	C# [Nm]	F1* [N]	M1** [Nm]	⚖
600131-C9	TCC-SL-18-18-C9	18	64.5	35.5	48	20.5	29	M6	5	1100	13	45
600131-C33	TCC-SL-18-18-C33	18	64.5	35.5	48	20.5	29	M6	5	1100	13	45
600231-C9	TCC-SL-30-30-C9	30	94.5	53.5	72	27	42	M8	12	1400	25	116
600231-C33	TCC-SL-30-30-C33	30	94.5	53.5	72	27	42	M8	12	1400	25	116

Suggested torque for screw assembly.

* Resistance to tube pull out

** Resistance to tube rotation