

Oil plugs

with side hole and anti-splash disc, technopolymer

MATERIAL

Glass-fibre reinforced polyamide based (PA) technopolymer, black colour, matte finish.
Side breather hole.

PACKING RING

NBR synthetic rubber.

ANTI-SPLASH DISC

Glass-fibre reinforced polyamide based (PA) technopolymer, black colour, matte finish.

MAXIMUM CONTINUOUS WORKING TEMPERATURE

100°C.

GRAPHIC SYMBOL "FILL"

According to DIN regulations.

TECHNICAL DATA

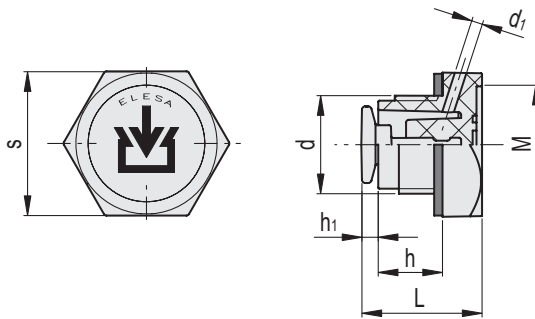
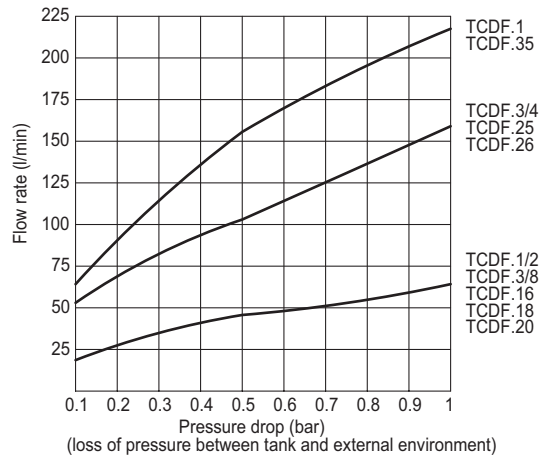
The tightening torque indicated in the table guarantees an optimal tightness, keeping the packing ring in the correct position.

ACCESSORIES ON REQUEST

The threaded caps can be customised with aluminium labels with marks and symbols MH. (see page -).



ELESA Original design



Code	Description	s	d	h	L	M	d ₁	h ₁	Coppia di serraggio [Nm]	Icon
58688	TCDF.16x1.5+P	22	M16x1.5	9	19	17	2	3.5	8+10	6
58689	TCDF.18x1.5+P	26	M18x1.5	11	21.5	20.5	2	3	8+10	9
58690	TCDF.20x1.5+P	26	M20x1.5	11	21.5	20.5	2	3.5	8+10	10
58692	TCDF.25x1.5+P	32	M25x1.5	12	25	25	3.5	4.5	10+12	15
58693	TCDF.26x1.5+P	32	M26x1.5	12	25	25	3.5	4.5	10+12	15
58694	TCDF.35x1.5+P	38	M35x1.5	13	26	31	3.5	4	15+18	20
58695	TCDF.3/8+P	22	G 3/8	9	19	17	2	3.5	8+10	6
58696	TCDF.1/2+P	26	G 1/2	11	21.5	20.5	2	3.5	8+10	10
58697	TCDF.3/4+P	32	G 3/4	12	25	25	3.5	4.5	10+12	15
58698	TCDF.1+P	38	G 1	13	26	31	3.5	4.5	12+15	23