

Hook clamps

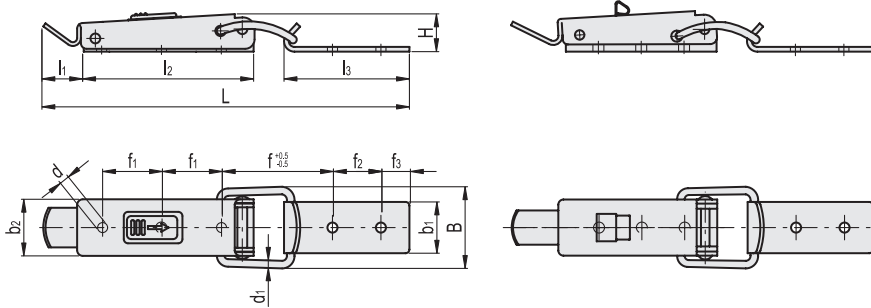
Steel or stainless steel

STANDARD EXECUTIONS

- **TLAS.Z**: lever body and bracket in zinc-plated steel with spring.
- **TLAS.NH**: lever body and bracket in nickel-plated steel, RAL 3000 red technopolymer push button.
- **TLAS.SST-16.4**: lever body and bracket in AISI 304 stainless steel with spring.
- **TLAS.SST-30**: lever body and bracket in AISI 304 stainless steel, RAL 3000 red technopolymer push button.

SPECIAL EXECUTIONS ON REQUEST

- Hook clamps in unplated steel.
- Catch brackets in different shapes and finishes.



TLAS.Z

Code	Description	b ₂	L	B	H	d	d ₁	b ₁	l ₁	l ₂	l ₃	f	f ₁	f ₂	f ₃	Max. working load [N]	Load at breakage [N]	
420083	TLAS.Z-16.4/102+R	16.4	102	23	11	3.2	2	13	16	44	30	34.5	12.5	12	5	550	1200	32

TLAS.NH

Code	Description	b ₂	L	B	H	d	d ₁	b ₁	l ₁	l ₂	l ₃	f	f ₁	f ₂	f ₃	Max. working load [N]	Load at breakage [N]	
420055	TLAS.NH-30/193.5+R	30	193.5	43	19	5.3	4	27	21.5	90	66	58.5	31.5	25.5	15	2000	4000	189

TLAS.SST-16.4

STAINLESS STEEL

Code	Description	b ₂	L	B	H	d	d ₁	b ₁	l ₁	l ₂	l ₃	f	f ₁	f ₂	f ₃	Max. working load [N]	Load at breakage [N]	
420084	TLAS.SST-16.4/102+R	16.4	102	23	11	3.2	2	13	16	44	30	34.5	12.5	12	5	550	1200	32

TLAS.SST-30

STAINLESS STEEL

Code	Description	b ₂	L	B	H	d	d ₁	b ₁	l ₁	l ₂	l ₃	f	f ₁	f ₂	f ₃	Max. working load [N]	Load at breakage [N]	
420056	TLAS.SST-30/193.5+R	30	193.5	43	19	5.3	4	27	21.5	90	66	58.5	31.5	25.5	15	2000	4000	189