

## Hook clamps

Steel or stainless steel

### STANDARD EXECUTIONS

- **TLI.Z:** zinc-plated steel.
- **TLI.SST:** AISI 304 stainless steel.

### SPECIAL EXECUTIONS ON REQUEST

- Hook clamps in unplated steel or nickel-plated steel.



## Hook clamps

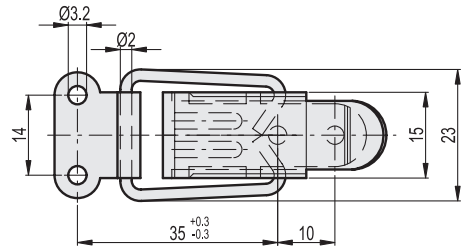
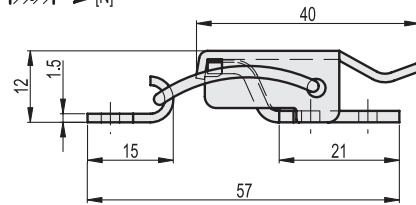
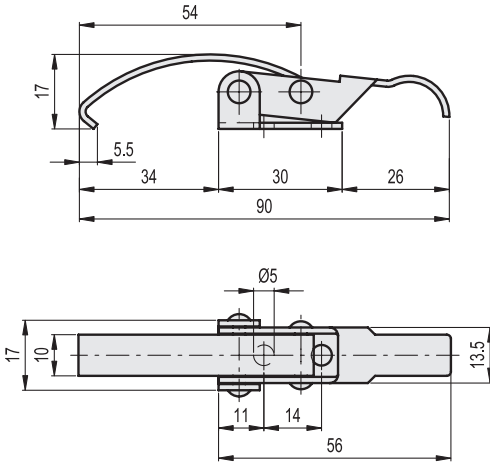
Steel or stainless steel

### STANDARD EXECUTIONS

- **TLV.Z:** zinc-plated steel.
- **TLV.SST:** AISI 304 stainless steel.

### SPECIAL EXECUTIONS ON REQUEST

- Catch brackets in different shapes and finishes.



### TLI.Z

Code	Description	Max. working load [N]	Load at breakage [N]	⚖️
420131	TLI.Z-13.5/90	500	900	28

### TLV.Z

Code	Description	Max. working load [N]	Load at breakage [N]	⚖️
420243	TLV.Z-15/56+R	550	1000	23

### TLI.SST

**STAINLESS STEEL**

Code	Description	Max. working load [N]	Load at breakage [N]	⚖️
420132	TLI.SST-13.5/90	500	900	28

### TLV.SST

**STAINLESS STEEL**

Code	Description	Max. working load [N]	Load at breakage [N]	⚖️
420242	TLV.SST-15/56+R	550	1000	23

