

## Plugs

**Technopolymer up to 100°C**

### MATERIAL

Glass-fibre reinforced polyamide based (PA) technopolymer, black colour, matte finish.

### PACKING RING

NBR synthetic rubber O-Ring.  
The positioning of the O-Ring in its housing guarantees a high tightening torque.

### MAXIMUM CONTINUOUS WORKING TEMPERATURE

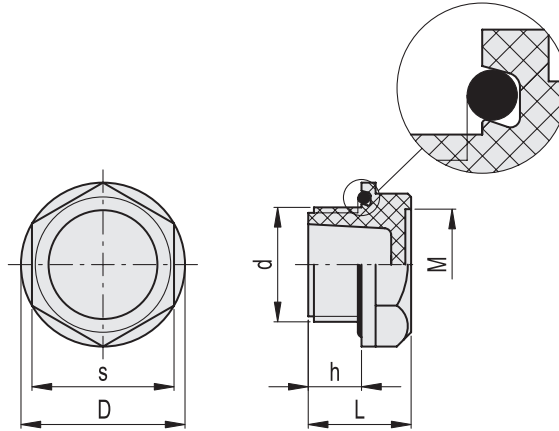
100°C.

### ACCESSORIES ON REQUEST

TNR. plugs are suitable for mounting aluminium plates with graphic symbols type MH.MH- (see page ).



ELESA Original design



Code	Description	d	h	s	D	L	M	⚖
158285	TNR.14x1.5	M14x1.5	9	19	22	17	15	4
158286	TNR.16x1.5	M16x1.5	10	22	25.5	18	17	6
158287	TNR.20x1.5	M20x1.5	11	27	32	20	20.5	8
158288	TNR.26x1.5	M26x1.5	12	32	37	22	25	14
158289	TNR.27x1.5	M27x1.5	12	32	37	22	25	14
158290	TNR.33x1.5	M33x1.5	13	38	44	23	31	18
158291	TNR.40x1.5	M40x1.5	14	46	53.5	26	38	19
158292	TNR.42x2	M42x2	15	46	53.5	26	38	21
158295	TNR.1/4	G 1/4	9	19	22	17	15	4
158296	TNR.3/8	G 3/8	9	22	25.5	18	17	6
158297	TNR.1/2	G 1/2	11	27	32	20	20.5	8
158298	TNR.3/4	G 3/4	12	32	37	22	25	14
158299	TNR.1	G 1	13	38	44	23	31	18
158411	TNR.1 ¼	G1 1/4	14	46	53.5	26	38	32
158413	TNR.1 ½	G1 1/2	15	55	63.5	28	46	51