

Push-fit caps

with flat dipstick, fill symbol, technopolymer

MATERIAL

Polyamide based (PA) technopolymer, black colour RAL 9005 (C9) or orange colour RAL 2004 (C2), matte finish.

PACKING RINGS

Two NBR synthetic rubber O-rings.

FLAT DIPSTICK

Flat section phosphatised steel.

On request and for sufficient quantities dipstick can be supplied in different lengths and/or complete with MAX-MIN level lines.

STANDARD EXECUTIONS

- **TP-C+a**: without side hole.
- **TP-CF+a**: with side breather hole.

MAXIMUM CONTINUOUS WORKING TEMPERATURE

100°C.

GRAPHIC SYMBOL "FILL"

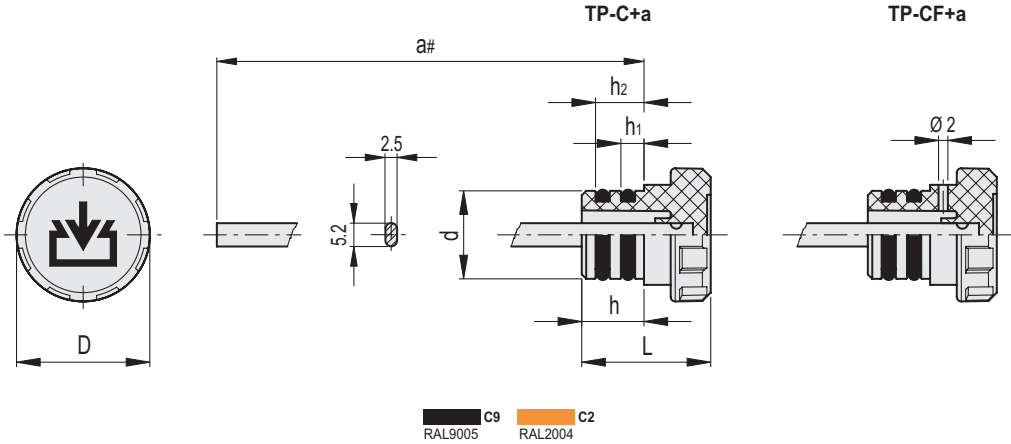
According to DIN regulations.

MOUNTING

Push-fit avoids the need to screw/unscrew.



ELESA Original design



TP-C+a

Code	Description	D	d	a#	h	L	h ₁	h ₂	Mounting hole d±0.2	⚖
59855-R-C9	TP-C.18+a-C9	26	18	189	13	28	4.5	10	18	31
59855-R-C2	TP-C.18+a-C2	26	18	189	13	28	4.5	10	18	31
59865-R-C9	TP-C.20+a-C9	30	20	189	14	29	5	11	20	15
59865-R-C2	TP-C.20+a-C2	30	20	189	14	29	5	11	20	15
59885-R-C9	TP-C.26+a-C9	35	26	189	14	29.5	5	11	26	39
59885-R-C2	TP-C.26+a-C2	35	26	189	14	29.5	5	11	26	39

TP-CF+a

Code	Description	D	d	a#	h	L	h ₁	h ₂	Mounting hole d±0.2	⚖
59895-R-C9	TP-CF.18+a-C9	26	18	189	13	28	4.5	10	18	31
59895-R-C2	TP-CF.18+a-C2	26	18	189	13	28	4.5	10	18	31
59905-R-C9	TP-CF.20+a-C9	30	20	189	14	29	5	11	20	15
59905-R-C2	TP-CF.20+a-C2	30	20	189	14	29	5	11	20	15
59925-R-C9	TP-CF.26+a-C9	35	26	189	14	29.5	5	11	26	39
59925-R-C2	TP-CF.26+a-C2	35	26	189	14	29.5	5	11	26	39