

Push-fit caps

fill symbol, technopolymer

MATERIAL

Polyamide based (PA) technopolymer, black colour RAL 9005 (C9) or orange colour RAL 2004 (C2), matte finish.

PACKING RINGS

Two NBR synthetic rubber O-rings.

STANDARD EXECUTIONS

- **TP-C**: without side hole.
- **TP-CF**: with side breather hole.

MAXIMUM CONTINUOUS WORKING TEMPERATURE

100°C.

GRAPHIC SYMBOL "FILL"

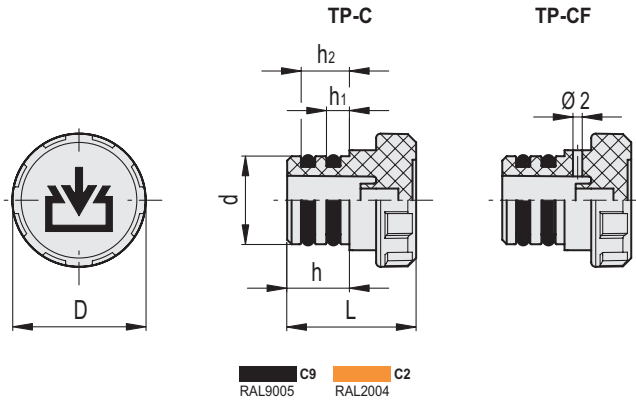
According to DIN regulations.

MOUNTING

Push-fit avoids the need to screw/unscrew.



ELESA Original design



TP-C

Code	Description	D	d	h	L	h1	h2	Mounting hole d+0.2	⚖
59851-R-C9	TP-C.12-C9	20	12	11	26	4	8	12	7
59851-R-C2	TP-C.12-C2	20	12	11	26	4	8	12	7
59853-R-C9	TP-C.18-C9	26	18	13	28	4.5	10	18	12
59853-R-C2	TP-C.18-C2	26	18	13	28	4.5	10	18	12
59861-R-C9	TP-C.20-C9	30	20	14	29	5	11	20	15
59861-R-C2	TP-C.20-C2	30	20	14	29	5	11	20	15
59881-R-C9	TP-C.26-C9	35	26	14	29.5	5	11	26	20
59881-R-C2	TP-C.26-C2	35	26	14	29.5	5	11	26	20

TP-CF

Code	Description	D	d	h	L	h1	h2	Mounting hole d+0.2	⚖
59891-R-C9	TP-CF.12-C9	20	12	11	26	4	8	12	7
59891-R-C2	TP-CF.12-C2	20	12	11	26	4	8	12	7
59893-R-C9	TP-CF.18-C9	26	18	13	28	4.5	10	18	12
59893-R-C2	TP-CF.18-C2	26	18	13	28	4.5	10	18	12
59901-R-C9	TP-CF.20-C9	30	20	14	29	5	11	20	15
59901-R-C2	TP-CF.20-C2	30	20	14	29	5	11	20	15
59921-R-C9	TP-CF.26-C9	35	26	14	29.5	5	11	26	20
59921-R-C2	TP-CF.26-C2	35	26	14	29.5	5	11	26	20