

Oil drain plugs

Technopolymer

MATERIAL

Glass-fibre reinforced polyamide based (PA) technopolymer, red colour similar to RAL 3000, matte finish.

PACKING RING

NBR synthetic rubber O-Ring.
The positioning of the O-Ring in its housing guarantees a high tightening torque.

MAXIMUM CONTINUOUS WORKING TEMPERATURE

100°C.

GRAPHIC SYMBOL "DRAIN"

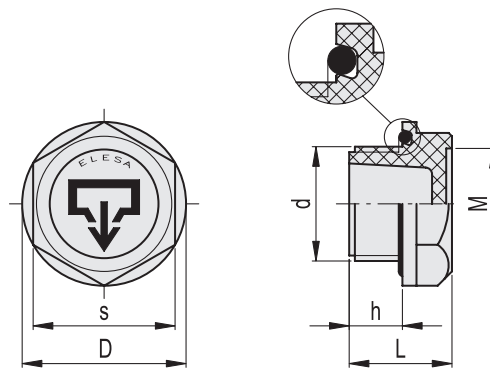
According to DIN regulations.

ACCESSORIES ON REQUEST

TSR, oil fill plugs are suitable for mounting aluminium plates with graphic symbols type MH. (see page 1665).



ELESA Original design



Code	Description	d	h	s	D	L	M	Tightening torque [Nm]	⚖️
158895	TSR.1/4	G 1/4	9	19	22	17	15	4÷6	4
158896	TSR.3/8	G 3/8	9	22	25.5	18	17	8÷10	6
158897	TSR.1/2	G 1/2	11	27	32	20	20.5	8÷10	8
158898	TSR.3/4	G 3/4	12	32	37	22	25	10÷12	14
158899	TSR.1	G 1	13	38	44	23	31	12÷15	18
158911	TSR.1¼	G 1 1/4	14	46	53.5	26	38	15÷18	32
158913	TSR.1½	G 1 1/2	15	55	63.5	28	46	15÷18	51

