

## Self-aligning brackets

### oval flanged, technopolymer

#### BRACKET

Glass-fibre reinforced polyamide based (PA) technopolymer, black colour, matte finish.

#### BUSHINGS AND WASHERS

AISI 304 stainless steel.

#### BEARING

High quality with traceability codes. Chrome steel.

#### LUBRICATOR

Straight type, in nickel-plated brass with 1/8 gas thread.

#### PACKING RINGS

NBR rubber

#### COVER

Glass-fibre reinforced polypropylene based (PP) technopolymer, RAL 7015 grey colour, matte finish.

Closed cap for head bracket or for pass-through shafts.

#### STANDARD EXECUTION

- **UCFL-T**: head bracket with closed cover.
- **UCFL-P**: bracket for pass-through shaft with drilled cover and NBR rubber packing ring for rotating shafts.

#### FEATURES AND APPLICATIONS

Overall dimensions are in compliance with ISO 3228.  
A system of completely sealed packing rings assures the protection of the bearing from dirt ingress.  
Max shaft misalignment = 2,5°.

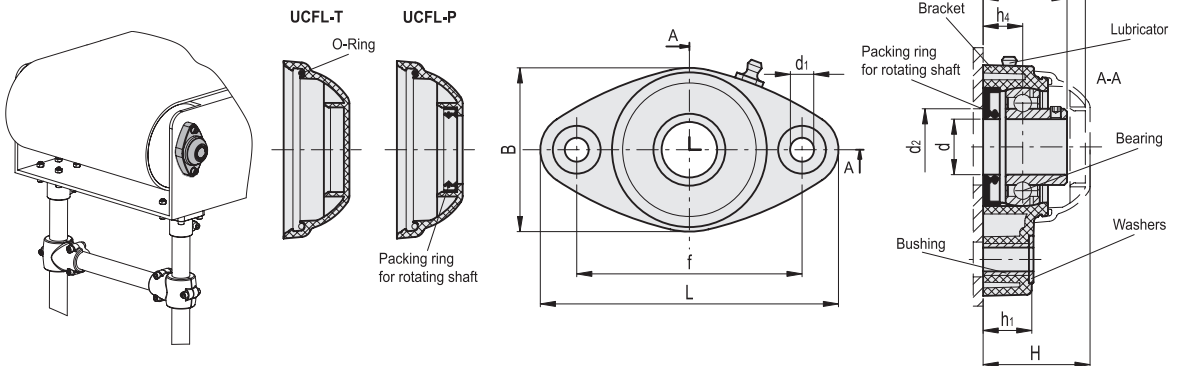
#### INSTRUCTIONS OF USE

Assembly with shafts without end stops. For optimum operation, we recommend periodic lubrication with a common grease resistant to high temperatures and oxidation.

#### SPECIAL EXECUTIONS ON REQUEST

- AISI 440C stainless steel bearing.
- Bearing in inch sizes.
- Brackets for shafts with diameters in different sizes.
- Brackets in polypropylene based (PP) technopolymer, packing rings and oil seal in VITON®\*.

\* Registered trademark by DuPont Dow Elastomers.



#### UCFL

Code	Description	d	d	d1	d2 min	d2 max	H	L	B	d1	f	h1	h2	h3	h4	Bearing static load [N]	Bearing dynamic load [N]	Bracket load [N]	⚖️
419552	UCFL.205-B-25-T	25	25	10.5	45	50	49	131	72	10.5	99	22	36	47	17	7000	14000	10000	323
419562	UCFL.206-B-30-T	30	30	10.5	50	60	56	149	86	10.5	117	26	41	54	20	11000	19000	13000	481
419532	UCFL.205-B-25-P	25	25	10.5	45	50	49	131	72	10.5	99	22	36	-	17	7000	14000	10000	329
419542	UCFL.206-B-30-P	30	30	10.5	50	60	56	149	86	10.5	117	26	41	-	20	11000	19000	13000	487