

## Lobe knobs with flange and pointer, Duroplast

### MATERIAL

Phenolic based (PF) Duroplast, black colour, glossy finish.

### FLANGE WITH POINTER

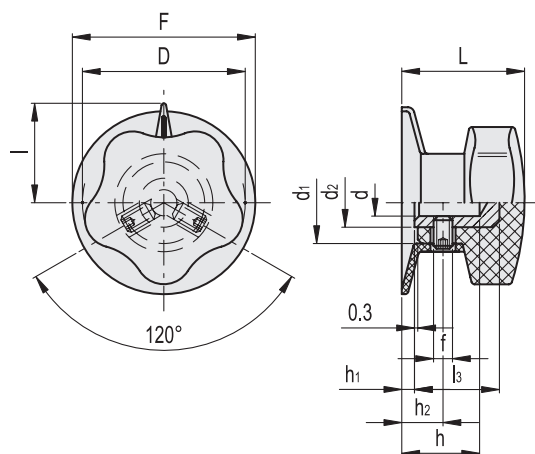
Polyamide based (PA) technopolymer, with white indicator line.

### STANDARD EXECUTIONS

- **VC.192-B+F**: brass boss, plain blind hole.
  - **VC.192-A+F**: black-oxide steel boss, plain blind hole.
- Assembly by means of supplied transversal grub screws UNI 5929-85 (grub screws with hexagon socket and cup end).



ELESA Original design



Code	Description	D	dH9	L	F	I	l3	d1	d2	h	h1	h2	f	ΔΔ
66211	VC.192/30 B-6+F	32	6	27	36	19	19	19	14	22	3	9	M4	30
66311	VC.192/40 B-6+F	40	6	30	45	24	19	21	14	22	3	9	M4	46
66421	VC.192/50 A-8+F	50	8	36	56	30	25	25	15	23	3	10	M5	70
66521	VC.192/60 A-8+F	60	8	42	70	37	25	27	15	25	5	12	M5	105
66621	VC.192/70 A-10+F	70	10	48	80	42	31	30	18	30	5	16	M6	152