

Lobe knobs

Technopolymer, hub with plain or threaded hole

MATERIAL

Glass-fibre reinforced polyamide based (PA) technopolymer, black colour, matte finish.

STANDARD EXECUTIONS

Zinc-plated steel hub.

- **VCHT-FP-AZ**: H7 reamed pass-through hole.
- **VCHT-FP-AZ-M**: threaded pass-through hole.

ACCESSORIES ON REQUEST

CA.VCT: polypropylene-based (PP) technopolymer boss cap, in Elecolors colours, matte finish, press-fit assembly. For sufficient quantities, it can be supplied in other colours or with customised graphic symbols, marks or writings.

SPECIAL EXECUTION ON REQUEST

Handwheels with stainless steel hub.



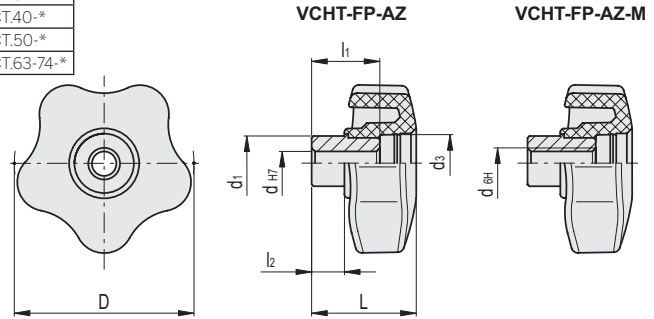
ELESA Original design

C9	C2	C3	C4	C5	C6	C17
RAL9005	RAL2004	RAL7035	RAL1021	RAL5024	RAL3000	RAL6017

CA.VCT

Cap for	C2	C3	C4	C5	C6	C17	Description	
	Code							
VCHT.25	6870	6873	6874	6875	6876	6871	6977	CA.VCT.25-*
VCHT.32	6900	6903	6904	6905	6906	6901	6907	CA.VCT.32-*
VCHT.40	6910	6913	6914	6915	6916	6911	6917	CA.VCT.40-*
VCHT.50	6920	6923	6924	6925	6926	6921	6927	CA.VCT.50-*
VCHT.63-74	6930	6933	6934	6935	6936	6931	6937	CA.VCT.63-74-*

* Complete with colour index (C9, ..., C17).



VCHT-FP-AZ

Code	Description	D	dH7	L	d1	d3	l1	l2	
168781	VCHT.25 FP-AZ-4	25	4	19	10	8,5	15	7	17
168782	VCHT.25 FP-AZ-5	25	5	19	10	8,5	15	7	17
168801	VCHT.32 FP-AZ-5	32	5	22,5	12	10	16,5	8,5	17
168802	VCHT.32 FP-AZ-6	32	6	22,5	12	10	16,5	8,5	16
168821	VCHT.40 FP-AZ-6	40	6	27	14	12	20	10	30
168822	VCHT.40 FP-AZ-8	40	8	27	14	12	20	10	29
168841	VCHT.50 FP-AZ-8	50	8	30	18	15	20	10	46
168842	VCHT.50 FP-AZ-10	50	10	30	18	15	20	10	45
168861	VCHT.63 FP-AZ-10	63	10	35,5	20	19	29	14	70
168862	VCHT.63 FP-AZ-12	63	12	35,5	20	19	29	14	68
168881	VCHT.74 FP-AZ-12	74	12	39,5	25	17	29	15	95
168882	VCHT.74 FP-AZ-16	74	16	39,5	25	17	29	15	91

VCHT-FP-AZ-M

Code	Description	D	dH	L	d1	d3	l1	l2	
168786	VCHT.25 FP-AZ-M4	25	M4	19	10	8,5	15	7	17
168787	VCHT.25 FP-AZ-M5	25	M5	19	10	8,5	15	7	17
168806	VCHT.32 FP-AZ-M5	32	M5	22,5	12	10	16,5	8,5	17
168807	VCHT.32 FP-AZ-M6	32	M6	22,5	12	10	16,5	8,5	16
168826	VCHT.40 FP-AZ-M6	40	M6	27	14	12	20	10	30
168827	VCHT.40 FP-AZ-M8	40	M8	27	14	12	20	10	29
168846	VCHT.50 FP-AZ-M8	50	M8	30	18	15	20	10	46
168847	VCHT.50 FP-AZ-M10	50	M10	30	18	15	20	10	45
168866	VCHT.63 FP-AZ-M10	63	M10	35,5	20	19	29	14	70
168867	VCHT.63 FP-AZ-M12	63	M12	35,5	20	19	29	14	68
168886	VCHT.74 FP-AZ-M12	74	M12	39,5	25	17	29	15	95
168887	VCHT.74 FP-AZ-M16	74	M16	39,5	25	17	29	15	91