

## Control handwheels

with revolving handle, Duroplast

### MATERIAL

Phenolic based (PF) Duroplast, black colour, glossy finish.

### REVOLVING HANDLE

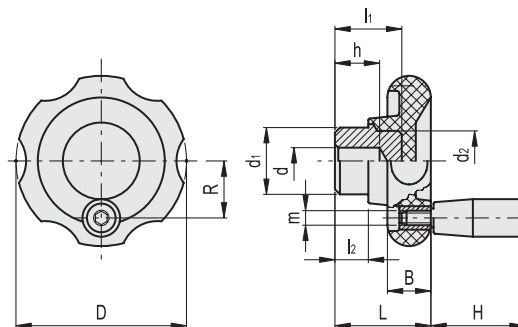
I.281+x (see page 569) in Duroplast.

### STANDARD EXECUTION

Black-oxide steel hub, with pre-drilled blind hole.



ELESA Original design



Code	Description	D	d#9	d-0.1	L	B	l1	l2	d1	d2	h	H	m	R	⚖️
74431	VL.140/80+I	82	-	6	40	19	23	12	24	20	15	40	M6	26	180
74521	VL.140/100+I	99	8	-	44	20	31	14	36	30	22	50	M8	32	385
74621	VL.140/130+I	129	8	-	47	22	30	13	40	40	20	65	M8	43	585



6

Control elements