

Mini vacuum cup with built-in spring suspensions

Threaded connection female, steel, aluminium and brass

MATERIAL

Brass stem.
Steel spring.
Quick fitting in blue anodised aluminium.

STANDARD EXECUTION

- **VPE-F**: with female threaded connection and straight quick fitting.
- **VPE-F-L**: with female threaded connection and L-shaped quick fitting.

FEATURES

VPE vacuum cup suspensions comprise:

- a brass stem to fix the vacuum cup to the automation device;
- a spring to cushion the impact of the vacuum cup and at the same time maintain a constant pressure with the load to be lifted;
- a quick fitting for connection to the suction hose.

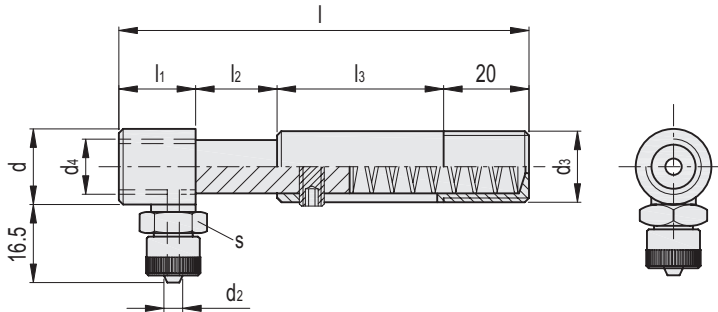
Characterised by reduced dimensions and weight to satisfy particular requests in industrial automation. The particular shape of the brass shank for fixing the vacuum cup suspension to the automation device prevents the rotation of the vacuum cup.

The effective spring stroke is functional to the length (l_2) of the stem, in particular:

- 15 mm for length 72 mm
- 20 mm for length 87 mm

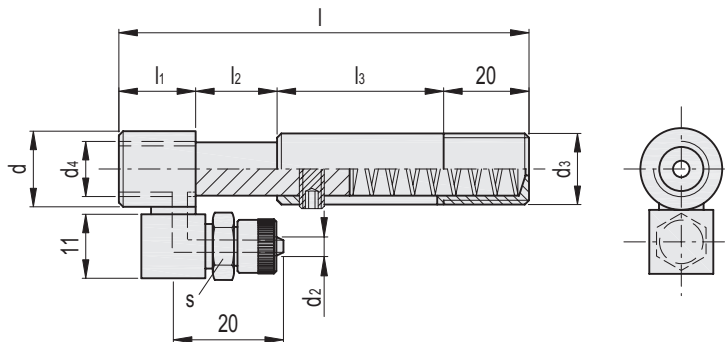
Compatible with 4x6 diameter plastic tube.

See Technical Data for vacuum cups (on page -).



VPE-F

Code	Description	d	d2*	d3	d4	l	l1	l2	l3	s	Δ
VV.43001	VPE-80-15-G1/8-F	15	4	M10x0.75	G1/8	72	15	15	22	10	26
VV.43003	VPE-80-20-G1/8-F	15	4	M15x1	G1/8	87	15	20	32	10	42



VPE-F-L

Code	Description	d	d2*	d3	d4	l	l1	l2	l3	s	Δ
VV.43002	VPE-80-15-G1/8-F-L	15	4	M10x0.75	G1/8	72	15	15	22	10	31
VV.43004	VPE-80-20-G1/8-F-L	15	4	M15x1	G1/8	87	15	20	32	10	47

* Compatible with compressed air tubes of the diameter in the table.