

Lobe knobs with cap, technopolymer

MATERIAL

Glass-fibre reinforced polyamide based (PA) technopolymer, black colour, matte finish.

BOSS CAP

CA.VCT: polypropylene-based (PP) technopolymer, in Elecolors colours, matte finish, press-fit assembly. Supplied. Available also as accessory sold separately (see table).

STANDARD EXECUTIONS

- **VTT-C-B**: brass boss, threaded pass-through hole.
- **VTT-C-p**: zinc-plated steel threaded stud, chamfered flat end according to UNI 947 : ISO 4753 (see Technical data on page A11).

FEATURES AND APPLICATIONS

The three-lobe shape with large recesses is particularly ergonomic also for smaller knobs, ensuring an effective grip even with work gloves.

SPECIAL EXECUTIONS ON REQUEST

Handwheels with stainless steel metal parts.

ACCESSORIES ON REQUEST

CA.VCT: polypropylene-based (PP) technopolymer boss cap, in Elecolors colours, matte finish, press-fit assembly. For sufficient quantities, it can be supplied in other colours or with customised graphic symbols, marks or writings.



ELESA Original design

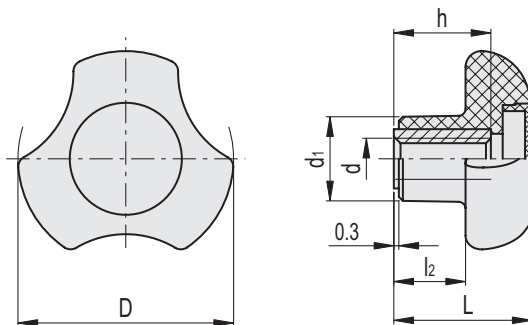


CA.VCT

| Cap for | C2 | C3 | C4 | C5 | C6 | C17 | Description |
|----------|------|------|------|------|------|------|------------------|
| VTT.32-C | 6923 | 6924 | 6925 | 6926 | 6921 | 6927 | CA.VCT.50-* |
| VTT.40-C | 6933 | 6934 | 6935 | 6936 | 6931 | 6937 | CA.VCT.63-74-95* |
| VTT.50-C | 6983 | 6984 | 6985 | 6986 | 6981 | 6987 | CA.VCT.84-* |

* Complete with colour index (C2, ..., C17).

VTT-C-B



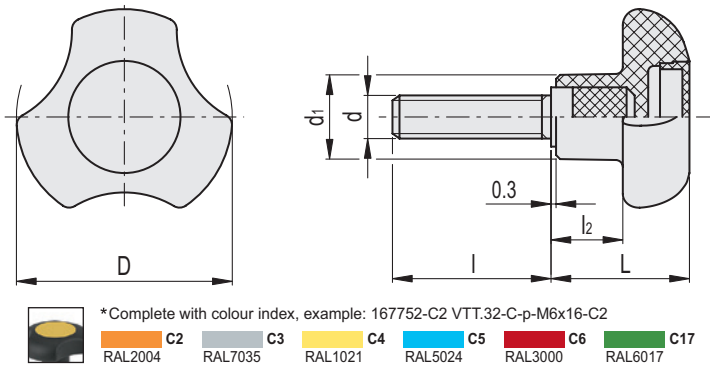
* Complete with colour index, example: 167716-C2 VTT.32-C-B-M6-C2



VTT-C-B

| Code | Description | D | d6H | L | d1 | l2 | h | ⚖ |
|----------|------------------|----|-----|----|----|------|----|----|
| 167716-* | VTT.32-C-B-M6-* | 32 | M6 | 22 | 14 | 11.5 | 14 | 15 |
| 167717-* | VTT.32-C-B-M8-* | 32 | M8 | 22 | 14 | 11.5 | 14 | 14 |
| 167835-* | VTT.40-C-B-M6-* | 40 | M6 | 25 | 16 | 13.5 | 18 | 24 |
| 167836-* | VTT.40-C-B-M8-* | 40 | M8 | 25 | 16 | 13.5 | 18 | 22 |
| 167965-* | VTT.50-C-B-M8-* | 50 | M8 | 29 | 19 | 15 | 20 | 43 |
| 167966-* | VTT.50-C-B-M10-* | 50 | M10 | 29 | 19 | 15 | 20 | 40 |

VTT-C-p



VTT-C-p

| Code | Description | D | d _g | L | d ₁ | l | l ₂ | △ |
|----------|---------------------|----|----------------|----|----------------|----|----------------|----|
| 167752.* | VTT.32-C-p-M6x16.* | 32 | M6 | 22 | 14 | 16 | 11.5 | 17 |
| 167753.* | VTT.32-C-p-M6x20.* | 32 | M6 | 22 | 14 | 20 | 11.5 | 19 |
| 167755.* | VTT.32-C-p-M6x25.* | 32 | M6 | 22 | 14 | 25 | 11.5 | 21 |
| 167754.* | VTT.32-C-p-M6x30.* | 32 | M6 | 22 | 14 | 30 | 11.5 | 23 |
| 167757.* | VTT.32-C-p-M6x35.* | 32 | M6 | 22 | 14 | 35 | 11.5 | 25 |
| 167758.* | VTT.32-C-p-M6x40.* | 32 | M6 | 22 | 14 | 40 | 11.5 | 27 |
| 167759.* | VTT.32-C-p-M6x45.* | 32 | M6 | 22 | 14 | 45 | 11.5 | 29 |
| 167772.* | VTT.32-C-p-M8x16.* | 32 | M8 | 22 | 14 | 16 | 11.5 | 20 |
| 167773.* | VTT.32-C-p-M8x20.* | 32 | M8 | 22 | 14 | 20 | 11.5 | 22 |
| 167774.* | VTT.32-C-p-M8x25.* | 32 | M8 | 22 | 14 | 25 | 11.5 | 24 |
| 167775.* | VTT.32-C-p-M8x30.* | 32 | M8 | 22 | 14 | 30 | 11.5 | 27 |
| 167776.* | VTT.32-C-p-M8x35.* | 32 | M8 | 22 | 14 | 35 | 11.5 | 30 |
| 167851.* | VTT.40-C-p-M6x10.* | 40 | M6 | 25 | 16 | 10 | 13.5 | 29 |
| 167853.* | VTT.40-C-p-M6x16.* | 40 | M6 | 25 | 16 | 16 | 13.5 | 31 |
| 167855.* | VTT.40-C-p-M6x20.* | 40 | M6 | 25 | 16 | 20 | 13.5 | 33 |
| 167857.* | VTT.40-C-p-M6x25.* | 40 | M6 | 25 | 16 | 25 | 13.5 | 35 |
| 167859.* | VTT.40-C-p-M6x30.* | 40 | M6 | 25 | 16 | 30 | 13.5 | 37 |
| 167861.* | VTT.40-C-p-M6x40.* | 40 | M6 | 25 | 16 | 40 | 13.5 | 40 |
| 167870.* | VTT.40-C-p-M8x16.* | 40 | M8 | 25 | 16 | 16 | 13.5 | 32 |
| 167871.* | VTT.40-C-p-M8x20.* | 40 | M8 | 25 | 16 | 20 | 13.5 | 34 |
| 167872.* | VTT.40-C-p-M8x25.* | 40 | M8 | 25 | 16 | 25 | 13.5 | 36 |
| 167873.* | VTT.40-C-p-M8x30.* | 40 | M8 | 25 | 16 | 30 | 13.5 | 38 |
| 167874.* | VTT.40-C-p-M8x35.* | 40 | M8 | 25 | 16 | 35 | 13.5 | 40 |
| 167875.* | VTT.40-C-p-M8x40.* | 40 | M8 | 25 | 16 | 40 | 13.5 | 42 |
| 167877.* | VTT.40-C-p-M8x50.* | 40 | M8 | 25 | 16 | 50 | 13.5 | 46 |
| 167880.* | VTT.40-C-p-M8x55.* | 40 | M8 | 25 | 16 | 55 | 13.5 | 48 |
| 167878.* | VTT.40-C-p-M8x60.* | 40 | M8 | 25 | 16 | 60 | 13.5 | 50 |
| 167879.* | VTT.40-C-p-M8x70.* | 40 | M8 | 25 | 16 | 70 | 13.5 | 54 |
| 167941.* | VTT.50-C-p-M8x16.* | 50 | M8 | 29 | 19 | 16 | 15 | 53 |
| 167943.* | VTT.50-C-p-M8x20.* | 50 | M8 | 29 | 19 | 20 | 15 | 55 |
| 167945.* | VTT.50-C-p-M8x25.* | 50 | M8 | 29 | 19 | 25 | 15 | 57 |
| 167947.* | VTT.50-C-p-M8x30.* | 50 | M8 | 29 | 19 | 30 | 15 | 60 |
| 167949.* | VTT.50-C-p-M8x40.* | 50 | M8 | 29 | 19 | 40 | 15 | 64 |
| 167951.* | VTT.50-C-p-M8x45.* | 50 | M8 | 29 | 19 | 45 | 15 | 66 |
| 167953.* | VTT.50-C-p-M8x50.* | 50 | M8 | 29 | 19 | 50 | 15 | 69 |
| 167955.* | VTT.50-C-p-M8x60.* | 50 | M8 | 29 | 19 | 60 | 15 | 72 |
| 167981.* | VTT.50-C-p-M10x20.* | 50 | M10 | 29 | 19 | 20 | 15 | 56 |
| 167982.* | VTT.50-C-p-M10x25.* | 50 | M10 | 29 | 19 | 25 | 15 | 58 |
| 167983.* | VTT.50-C-p-M10x30.* | 50 | M10 | 29 | 19 | 30 | 15 | 61 |
| 167984.* | VTT.50-C-p-M10x35.* | 50 | M10 | 29 | 19 | 35 | 15 | 63 |
| 167985.* | VTT.50-C-p-M10x40.* | 50 | M10 | 29 | 19 | 40 | 15 | 66 |
| 167986.* | VTT.50-C-p-M10x45.* | 50 | M10 | 29 | 19 | 45 | 15 | 69 |
| 167988.* | VTT.50-C-p-M10x55.* | 50 | M10 | 29 | 19 | 55 | 15 | 72 |

