

Adjustable handles

Technopolymer, steel or stainless steel clamping element

LEVER BODY

Glass-fibre reinforced polyamide based (PA) technopolymer, RAL 7021 (C1) grey-black colour, RAL 2004 (C2) orange colour, RAL 7035 (C3) grey colour, RAL 3000 (C6) red colour, matte finish.

Built-in zinc alloy toothed insert for coupling to the metal clamping element.

STANDARD EXECUTIONS

Retaining screw with six-lobed socket to fit TORX®*.

AISI 302 stainless steel return spring.

- **ERZ-A:** black-oxide steel clamping element with threaded hole and retaining screw.
- **ERZ-SST:** AISI 303 stainless steel clamping element with threaded hole and retaining screw.
- **ERZ-p:** black-oxide steel clamping element with threaded stud and retaining screw.
- **ERZ-SST-p:** AISI 303 stainless steel clamping element with threaded screw and retaining screw.

FEATURES AND APPLICATIONS

Particularly suitable when the lever turning angle is limited owing to lack of space.

The metal teeth of the built-in zinc alloy insert allow the assembly of clamping elements completely made out of metal, which can be easily modified by machining in case of special assembly requirements.

INSTRUCTIONS OF USE

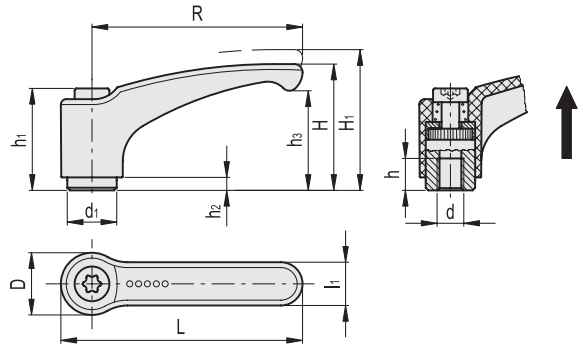
For clamping, lift the lever to disengage the clamping device teeth and bring it back to start position. By releasing the lever, the return spring automatically engages the teeth.

If the lever cannot make a 360° rotation, the clamping element can be easily screwed by means of the six-lobed socket front head screw (after having disengaged the lever).

* Registered trademark by TEXTRON INC.



ERGOSTYLE®



* Complete with colour index, example: 237102-C1 ERZ.44-A-M4-C1

- C1** RAL7021
- C2** RAL2004
- C3** RAL7035
- C6** RAL3000

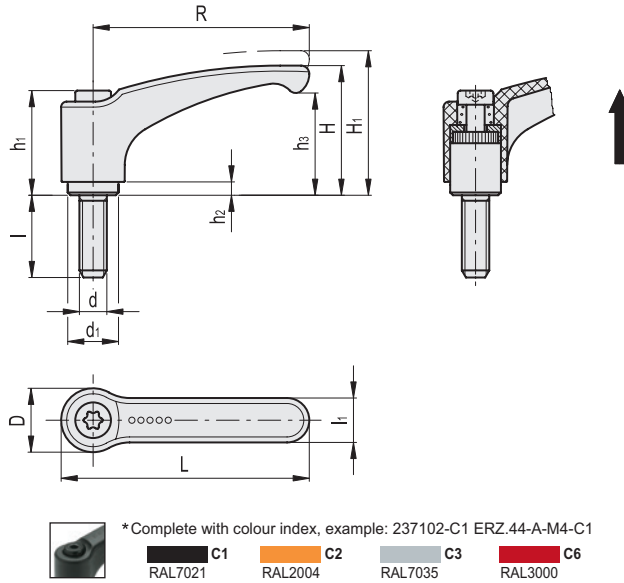
ERZ-A

Code	Description	R	d	L	D	H	H1	h	h1	h2	h3	d1	l1	Teeth no.	⚖
237102-*	ERZ.44-A-M4-*	44	M4	52	16	30.5	34	8	24.5	3.5	22.5	10	11	18	16
237103-*	ERZ.44-A-M5-*	44	M5	52	16	30.5	34	8	24.5	3.5	22.5	10	11	18	16
237104-*	ERZ.44-A-M6-*	44	M6	52	16	30.5	34	8	24.5	3.5	22.5	10	11	18	15
237134-*	ERZ.63-A-M6-*	63	M6	72.5	19	38.5	42	10	31	3.5	30	13.5	13.5	24	36
237135-*	ERZ.63-A-M8-*	63	M8	72.5	19	38.5	42	10	31	3.5	30	13.5	13.5	24	34
237155-*	ERZ.78-A-M8-*	79	M8	91.5	24.5	45	50.5	14	36	3.5	35	16	16	26	61
237156-*	ERZ.78-A-M10-*	79	M10	91.5	24.5	45	50.5	14	36	3.5	35	16	16	26	55
237157-*	ERZ.78-A-M12-*	79	M12	91.5	24.5	45	50.5	14	36	3.5	35	16	16	26	57
237175-*	ERZ.95-A-M10-*	95	M10	108	26	56.5	61.5	17	43	5	45	19	18	28	93
237176-*	ERZ.95-A-M12-*	95	M12	108	26	56.5	61.5	17	43	5	45	19	18	28	86

ERZ-SST

STAINLESS STEEL

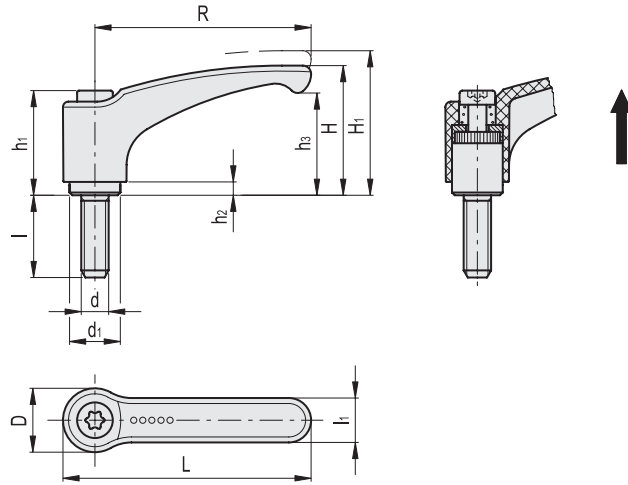
Code	Description	R	d	L	D	H	H1	h	h1	h2	h3	d1	l1	Teeth no.	⚖
239102-*	ERZ.44-SST-M4-*	44	M4	52	16	30.5	34	8	24.5	3.5	22.5	10	11	18	17
239105-*	ERZ.44-SST-M5-*	44	M5	52	16	30.5	34	8	24.5	3.5	22.5	10	11	18	16
239106-*	ERZ.44-SST-M6-*	44	M6	52	16	30.5	34	8	24.5	3.5	22.5	10	11	18	15
239135-*	ERZ.63-SST-M6-*	63	M6	72.5	19	38.5	42	10	31	3.5	30	13.5	13.5	24	36
239136-*	ERZ.63-SST-M8-*	63	M8	72.5	19	38.5	42	10	31	3.5	30	13.5	13.5	24	34
239155-*	ERZ.78-SST-M8-*	79	M8	91.5	24.5	45	50.5	14	36	3.5	35	16	16	26	61
239156-*	ERZ.78-SST-M10-*	79	M10	91.5	24.5	45	50.5	14	36	3.5	35	16	16	26	55
239157-*	ERZ.78-SST-M12-*	79	M12	91.5	24.5	45	50.5	14	36	3.5	35	16	16	26	57
239175-*	ERZ.95-SST-M10-*	95	M10	108	26	56.5	61.5	17	43	5	45	19	18	28	93
239176-*	ERZ.95-SST-M12-*	95	M12	108	26	56.5	61.5	17	43	5	45	19	18	28	86



ERZ-p

Code	Description	R	d	L	D	H	Hi	h1	h2	h3	d1	l	li	Teeth no.	
238103.*	ERZ.44-p-M4x12.*	44	M4	52	16	30.5	34	24.5	3.5	22.5	10	12	11	18	15
238105.*	ERZ.44-p-M4x16.*	44	M4	52	16	30.5	34	24.5	3.5	22.5	10	16	11	18	16
238107.*	ERZ.44-p-M4x20.*	44	M4	52	16	30.5	34	24.5	3.5	22.5	10	20	11	18	17
238109.*	ERZ.44-p-M4x25.*	44	M4	52	16	30.5	34	24.5	3.5	22.5	10	25	11	18	18
238111.*	ERZ.44-p-M4x32.*	44	M4	52	16	30.5	34	24.5	3.5	22.5	10	32	11	18	19
238133.*	ERZ.44-p-M5x12.*	44	M5	52	16	30.5	34	24.5	3.5	22.5	10	12	11	18	17
238135.*	ERZ.44-p-M5x16.*	44	M5	52	16	30.5	34	24.5	3.5	22.5	10	16	11	18	18
238137.*	ERZ.44-p-M5x20.*	44	M5	52	16	30.5	34	24.5	3.5	22.5	10	20	11	18	19
238139.*	ERZ.44-p-M5x25.*	44	M5	52	16	30.5	34	24.5	3.5	22.5	10	25	11	18	20
238141.*	ERZ.44-p-M5x32.*	44	M5	52	16	30.5	34	24.5	3.5	22.5	10	32	11	18	21
238143.*	ERZ.44-p-M5x40.*	44	M5	52	16	30.5	34	24.5	3.5	22.5	10	40	11	18	22
238145.*	ERZ.44-p-M5x50.*	44	M5	52	16	30.5	34	24.5	3.5	22.5	10	50	11	18	23
238153.*	ERZ.44-p-M6x12.*	44	M6	52	16	30.5	34	24.5	3.5	22.5	10	12	11	18	19
238155.*	ERZ.44-p-M6x16.*	44	M6	52	16	30.5	34	24.5	3.5	22.5	10	16	11	18	20
238157.*	ERZ.44-p-M6x20.*	44	M6	52	16	30.5	34	24.5	3.5	22.5	10	20	11	18	21
238159.*	ERZ.44-p-M6x25.*	44	M6	52	16	30.5	34	24.5	3.5	22.5	10	25	11	18	22
238161.*	ERZ.44-p-M6x32.*	44	M6	52	16	30.5	34	24.5	3.5	22.5	10	32	11	18	23
238163.*	ERZ.44-p-M6x40.*	44	M6	52	16	30.5	34	24.5	3.5	22.5	10	40	11	18	24
238165.*	ERZ.44-p-M6x50.*	44	M6	52	16	30.5	34	24.5	3.5	22.5	10	50	11	18	25
238333.*	ERZ.63-p-M6x12.*	63	M6	72.5	19	38.5	42	31	3.5	30	13.5	12	13.5	24	47
238335.*	ERZ.63-p-M6x16.*	63	M6	72.5	19	38.5	42	31	3.5	30	13.5	16	13.5	24	49
238337.*	ERZ.63-p-M6x20.*	63	M6	72.5	19	38.5	42	31	3.5	30	13.5	20	13.5	24	55
238339.*	ERZ.63-p-M6x25.*	63	M6	72.5	19	38.5	42	31	3.5	30	13.5	25	13.5	24	57
238341.*	ERZ.63-p-M6x32.*	63	M6	72.5	19	38.5	42	31	3.5	30	13.5	32	13.5	24	61
238343.*	ERZ.63-p-M6x40.*	63	M6	72.5	19	38.5	42	31	3.5	30	13.5	40	13.5	24	68
238345.*	ERZ.63-p-M6x50.*	63	M6	72.5	19	38.5	42	31	3.5	30	13.5	50	13.5	24	77
238347.*	ERZ.63-p-M6x63.*	63	M6	72.5	19	38.5	42	31	3.5	30	13.5	63	13.5	24	79
238351.*	ERZ.63-p-M8x12.*	63	M8	72.5	19	38.5	42	31	3.5	30	13.5	12	13.5	24	40
238353.*	ERZ.63-p-M8x16.*	63	M8	72.5	19	38.5	42	31	3.5	30	13.5	16	13.5	24	41
238355.*	ERZ.63-p-M8x20.*	63	M8	72.5	19	38.5	42	31	3.5	30	13.5	20	13.5	24	42
238357.*	ERZ.63-p-M8x25.*	63	M8	72.5	19	38.5	42	31	3.5	30	13.5	25	13.5	24	43
238359.*	ERZ.63-p-M8x32.*	63	M8	72.5	19	38.5	42	31	3.5	30	13.5	32	13.5	24	44
238361.*	ERZ.63-p-M8x40.*	63	M8	72.5	19	38.5	42	31	3.5	30	13.5	40	13.5	24	46
238363.*	ERZ.63-p-M8x50.*	63	M8	72.5	19	38.5	42	31	3.5	30	13.5	50	13.5	24	48
238365.*	ERZ.63-p-M8x63.*	63	M8	72.5	19	38.5	42	31	3.5	30	13.5	63	13.5	24	51
238373.*	ERZ.63-p-M10x20.*	63	M10	72.5	19	38.5	42	31	3.5	30	13.5	20	13.5	24	42
238375.*	ERZ.63-p-M10x25.*	63	M10	72.5	19	38.5	42	31	3.5	30	13.5	25	13.5	24	43
238377.*	ERZ.63-p-M10x32.*	63	M10	72.5	19	38.5	42	31	3.5	30	13.5	32	13.5	24	45
238379.*	ERZ.63-p-M10x40.*	63	M10	72.5	19	38.5	42	31	3.5	30	13.5	40	13.5	24	47
238381.*	ERZ.63-p-M10x50.*	63	M10	72.5	19	38.5	42	31	3.5	30	13.5	50	13.5	24	52
238383.*	ERZ.63-p-M10x63.*	63	M10	72.5	19	38.5	42	31	3.5	30	13.5	63	13.5	24	53
238385.*	ERZ.63-p-M10x80.*	63	M10	72.5	19	38.5	42	31	3.5	30	13.5	80	13.5	24	57





Code	Description	R	d	L	D	H	H1	h1	h2	h3	d1	l	l1	Teeth no.	⚙️
238533-*	ERZ.78-p-M8x16-*	79	M8	91.5	24.5	45	50.5	36	3.5	35	16	16	16	26	70
238535-*	ERZ.78-p-M8x20-*	79	M8	91.5	24.5	45	50.5	36	3.5	35	16	20	16	26	73
238537-*	ERZ.78-p-M8x25-*	79	M8	91.5	24.5	45	50.5	36	3.5	35	16	25	16	26	76
238539-*	ERZ.78-p-M8x32-*	79	M8	91.5	24.5	45	50.5	36	3.5	35	16	32	16	26	81
238541-*	ERZ.78-p-M8x40-*	79	M8	91.5	24.5	45	50.5	36	3.5	35	16	40	16	26	86
238543-*	ERZ.78-p-M8x50-*	79	M8	91.5	24.5	45	50.5	36	3.5	35	16	50	16	26	88
238545-*	ERZ.78-p-M8x63-*	79	M8	91.5	24.5	45	50.5	36	3.5	35	16	63	16	26	94
238547-*	ERZ.78-p-M8x80-*	79	M8	91.5	24.5	45	50.5	36	3.5	35	16	80	16	26	102
238551-*	ERZ.78-p-M10x16-*	79	M10	91.5	24.5	45	50.5	36	3.5	35	16	16	16	26	82
238553-*	ERZ.78-p-M10x20-*	79	M10	91.5	24.5	45	50.5	36	3.5	35	16	20	16	26	85
238555-*	ERZ.78-p-M10x25-*	79	M10	91.5	24.5	45	50.5	36	3.5	35	16	25	16	26	91
238557-*	ERZ.78-p-M10x32-*	79	M10	91.5	24.5	45	50.5	36	3.5	35	16	32	16	26	98
238559-*	ERZ.78-p-M10x40-*	79	M10	91.5	24.5	45	50.5	36	3.5	35	16	40	16	26	108
238561-*	ERZ.78-p-M10x50-*	79	M10	91.5	24.5	45	50.5	36	3.5	35	16	50	16	26	120
238563-*	ERZ.78-p-M10x63-*	79	M10	91.5	24.5	45	50.5	36	3.5	35	16	63	16	26	124
238565-*	ERZ.78-p-M10x80-*	79	M10	91.5	24.5	45	50.5	36	3.5	35	16	80	16	26	127
238571-*	ERZ.78-p-M12x20-*	79	M12	91.5	24.5	45	50.5	36	3.5	35	16	20	16	26	68
238573-*	ERZ.78-p-M12x25-*	79	M12	91.5	24.5	45	50.5	36	3.5	35	16	25	16	26	70
238575-*	ERZ.78-p-M12x32-*	79	M12	91.5	24.5	45	50.5	36	3.5	35	16	32	16	26	73
238577-*	ERZ.78-p-M12x40-*	79	M12	91.5	24.5	45	50.5	36	3.5	35	16	40	16	26	75
238579-*	ERZ.78-p-M12x50-*	79	M12	91.5	24.5	45	50.5	36	3.5	35	16	50	16	26	79
238581-*	ERZ.78-p-M12x63-*	79	M12	91.5	24.5	45	50.5	36	3.5	35	16	63	16	26	85
238583-*	ERZ.78-p-M12x80-*	79	M12	91.5	24.5	45	50.5	36	3.5	35	16	80	16	26	88
238723-*	ERZ.95-p-M10x16-*	95	M10	108	26	56.5	61.5	43	5	45	19	16	18	28	111
238725-*	ERZ.95-p-M10x20-*	95	M10	108	26	56.5	61.5	43	5	45	19	20	18	28	113
238727-*	ERZ.95-p-M10x25-*	95	M10	108	26	56.5	61.5	43	5	45	19	25	18	28	115
238729-*	ERZ.95-p-M10x32-*	95	M10	108	26	56.5	61.5	43	5	45	19	32	18	28	118
238731-*	ERZ.95-p-M10x40-*	95	M10	108	26	56.5	61.5	43	5	45	19	40	18	28	121
238733-*	ERZ.95-p-M10x50-*	95	M10	108	26	56.5	61.5	43	5	45	19	50	18	28	128
238735-*	ERZ.95-p-M10x63-*	95	M10	108	26	56.5	61.5	43	5	45	19	63	18	28	133
238737-*	ERZ.95-p-M10x80-*	95	M10	108	26	56.5	61.5	43	5	45	19	80	18	28	141
238747-*	ERZ.95-p-M12x16-*	95	M12	108	26	56.5	61.5	43	5	45	19	16	18	28	113
238749-*	ERZ.95-p-M12x20-*	95	M12	108	26	56.5	61.5	43	5	45	19	20	18	28	117
238751-*	ERZ.95-p-M12x25-*	95	M12	108	26	56.5	61.5	43	5	45	19	25	18	28	122
238753-*	ERZ.95-p-M12x32-*	95	M12	108	26	56.5	61.5	43	5	45	19	32	18	28	125
238755-*	ERZ.95-p-M12x40-*	95	M12	108	26	56.5	61.5	43	5	45	19	40	18	28	132
238757-*	ERZ.95-p-M12x50-*	95	M12	108	26	56.5	61.5	43	5	45	19	50	18	28	141
238759-*	ERZ.95-p-M12x63-*	95	M12	108	26	56.5	61.5	43	5	45	19	63	18	28	151
238761-*	ERZ.95-p-M12x80-*	95	M12	108	26	56.5	61.5	43	5	45	19	80	18	28	160
238773-*	ERZ.95-p-M16x25-*	95	M16	108	26	56.5	61.5	43	5	45	19	25	18	28	139
238775-*	ERZ.95-p-M16x32-*	95	M16	108	26	56.5	61.5	43	5	45	19	32	18	28	146
238777-*	ERZ.95-p-M16x40-*	95	M16	108	26	56.5	61.5	43	5	45	19	40	18	28	154
238779-*	ERZ.95-p-M16x50-*	95	M16	108	26	56.5	61.5	43	5	45	19	50	18	28	171
238781-*	ERZ.95-p-M16x63-*	95	M16	108	26	56.5	61.5	43	5	45	19	63	18	28	184
238783-*	ERZ.95-p-M16x80-*	95	M16	108	26	56.5	61.5	43	5	45	19	80	18	28	199

Clamping levers 3

ERZ-SST-p

STAINLESS STEEL

Code	Description	R	d	L	D	H	H _i	h ₁	h ₂	h ₃	d _i	l	l _i	Teeth no.	⚖
239203.*	ERZ.44-SST-p-M4x12.*	44	M4	52	16	30.5	34	24.5	3.5	22.5	10	12	11	18	15
239205.*	ERZ.44-SST-p-M4x16.*	44	M4	52	16	30.5	34	24.5	3.5	22.5	10	16	11	18	17
239207.*	ERZ.44-SST-p-M4x20.*	44	M4	52	16	30.5	34	24.5	3.5	22.5	10	20	11	18	18
239209.*	ERZ.44-SST-p-M4x25.*	44	M4	52	16	30.5	34	24.5	3.5	22.5	10	25	11	18	20
239211.*	ERZ.44-SST-p-M4x32.*	44	M4	52	16	30.5	34	24.5	3.5	22.5	10	32	11	18	21
239233.*	ERZ.44-SST-p-M5x12.*	44	M5	52	16	30.5	34	24.5	3.5	22.5	10	12	11	18	17
239235.*	ERZ.44-SST-p-M5x16.*	44	M5	52	16	30.5	34	24.5	3.5	22.5	10	16	11	18	18
239237.*	ERZ.44-SST-p-M5x20.*	44	M5	52	16	30.5	34	24.5	3.5	22.5	10	20	11	18	19
239239.*	ERZ.44-SST-p-M5x25.*	44	M5	52	16	30.5	34	24.5	3.5	22.5	10	25	11	18	20
239241.*	ERZ.44-SST-p-M5x32.*	44	M5	52	16	30.5	34	24.5	3.5	22.5	10	32	11	18	21
239243.*	ERZ.44-SST-p-M5x40.*	44	M5	52	16	30.5	34	24.5	3.5	22.5	10	40	11	18	22
239245.*	ERZ.44-SST-p-M5x50.*	44	M5	52	16	30.5	34	24.5	3.5	22.5	10	50	11	18	23
239253.*	ERZ.44-SST-p-M6x12.*	44	M6	52	16	30.5	34	24.5	3.5	22.5	10	12	11	18	19
239255.*	ERZ.44-SST-p-M6x16.*	44	M6	52	16	30.5	34	24.5	3.5	22.5	10	16	11	18	20
239257.*	ERZ.44-SST-p-M6x20.*	44	M6	52	16	30.5	34	24.5	3.5	22.5	10	20	11	18	21
239259.*	ERZ.44-SST-p-M6x25.*	44	M6	52	16	30.5	34	24.5	3.5	22.5	10	25	11	18	22
239423.*	ERZ.44-SST-p-M6x32.*	44	M6	52	16	30.5	34	24.5	3.5	22.5	10	32	11	18	23
239425.*	ERZ.44-SST-p-M6x40.*	44	M6	52	16	30.5	34	24.5	3.5	22.5	10	40	11	18	24
239427.*	ERZ.44-SST-p-M6x50.*	44	M6	52	16	30.5	34	24.5	3.5	22.5	10	50	11	18	27
239429.*	ERZ.63-SST-p-M6x16.*	63	M6	72.5	19	38.5	42	31	3.5	30	13.5	16	13.5	24	40
239431.*	ERZ.63-SST-p-M6x20.*	63	M6	72.5	19	38.5	42	31	3.5	30	13.5	20	13.5	24	41
239433.*	ERZ.63-SST-p-M6x25.*	63	M6	72.5	19	38.5	42	31	3.5	30	13.5	25	13.5	24	42
239435.*	ERZ.63-SST-p-M6x32.*	63	M6	72.5	19	38.5	42	31	3.5	30	13.5	32	13.5	24	43
239437.*	ERZ.63-SST-p-M6x40.*	63	M6	72.5	19	38.5	42	31	3.5	30	13.5	40	13.5	24	44
239439.*	ERZ.63-SST-p-M6x50.*	63	M6	72.5	19	38.5	42	31	3.5	30	13.5	50	13.5	24	46
239441.*	ERZ.63-SST-p-M6x63.*	63	M6	72.5	19	38.5	42	31	3.5	30	13.5	63	13.5	24	48
239453.*	ERZ.63-SST-p-M8x16.*	63	M8	72.5	19	38.5	42	31	3.5	30	13.5	16	13.5	24	42
239455.*	ERZ.63-SST-p-M8x20.*	63	M8	72.5	19	38.5	42	31	3.5	30	13.5	20	13.5	24	46
239457.*	ERZ.63-SST-p-M8x25.*	63	M8	72.5	19	38.5	42	31	3.5	30	13.5	25	13.5	24	48
239459.*	ERZ.63-SST-p-M8x32.*	63	M8	72.5	19	38.5	42	31	3.5	30	13.5	32	13.5	24	50
239643.*	ERZ.63-SST-p-M8x40.*	63	M8	72.5	19	38.5	42	31	3.5	30	13.5	40	13.5	24	52
239645.*	ERZ.63-SST-p-M8x50.*	63	M8	72.5	19	38.5	42	31	3.5	30	13.5	50	13.5	24	54
239647.*	ERZ.63-SST-p-M8x63.*	63	M8	72.5	19	38.5	42	31	3.5	30	13.5	63	13.5	24	58
239653.*	ERZ.78-SST-p-M10x20.*	79	M8	91.5	24.5	45	50.5	36	3.5	35	16	20	16	26	69
239655.*	ERZ.78-SST-p-M10x25.*	79	M8	91.5	24.5	45	50.5	36	3.5	35	16	25	16	26	72
239657.*	ERZ.78-SST-p-M10x32.*	79	M8	91.5	24.5	45	50.5	36	3.5	35	16	32	16	26	76
239659.*	ERZ.78-SST-p-M10x40.*	79	M8	91.5	24.5	45	50.5	36	3.5	35	16	40	16	26	80
239661.*	ERZ.78-SST-p-M10x50.*	79	M8	91.5	24.5	45	50.5	36	3.5	35	16	50	16	26	84
239663.*	ERZ.78-SST-p-M10x63.*	79	M8	91.5	24.5	45	50.5	36	3.5	35	16	63	16	26	89
239665.*	ERZ.78-SST-p-M10x80.*	79	M8	91.5	24.5	45	50.5	36	3.5	35	16	80	16	26	97
239673.*	ERZ.78-SST-p-M8x20.*	79	M8	91.5	24.5	45	50.5	36	3.5	35	16	20	16	26	73
239675.*	ERZ.78-SST-p-M8x25.*	79	M8	91.5	24.5	45	50.5	36	3.5	35	16	25	16	26	76
239677.*	ERZ.78-SST-p-M8x32.*	79	M8	91.5	24.5	45	50.5	36	3.5	35	16	32	16	26	80
239679.*	ERZ.78-SST-p-M8x40.*	79	M8	91.5	24.5	45	50.5	36	3.5	35	16	40	16	26	84
239681.*	ERZ.78-SST-p-M8x50.*	79	M8	91.5	24.5	45	50.5	36	3.5	35	16	50	16	26	88
239683.*	ERZ.78-SST-p-M8x63.*	79	M8	91.5	24.5	45	50.5	36	3.5	35	16	63	16	26	94
239685.*	ERZ.78-SST-p-M8x80.*	79	M8	91.5	24.5	45	50.5	36	3.5	35	16	80	16	26	102
239919.*	ERZ.78-SST-p-M12x20.*	79	M12	91.5	24.5	45	50.5	36	3.5	35	16	20	16	26	117
239921.*	ERZ.78-SST-p-M12x25.*	79	M12	91.5	24.5	45	50.5	36	3.5	35	16	25	16	26	122
239923.*	ERZ.78-SST-p-M12x32.*	79	M12	91.5	24.5	45	50.5	36	3.5	35	16	32	16	26	125
239925.*	ERZ.78-SST-p-M12x40.*	79	M12	91.5	24.5	45	50.5	36	3.5	35	16	40	16	26	132
239927.*	ERZ.78-SST-p-M12x50.*	79	M12	91.5	24.5	45	50.5	36	3.5	35	16	50	16	26	138
239929.*	ERZ.78-SST-p-M12x63.*	79	M12	91.5	24.5	45	50.5	36	3.5	35	16	63	16	26	148
239931.*	ERZ.78-SST-p-M12x80.*	79	M12	91.5	24.5	45	50.5	36	3.5	35	16	80	16	26	160
239823.*	ERZ.95-SST-p-M10x20.*	95	M10	108	26	56.5	61.5	43	5	45	19	20	18	26	68
239825.*	ERZ.95-SST-p-M10x25.*	95	M10	108	26	56.5	61.5	43	5	45	19	25	18	26	70
239827.*	ERZ.95-SST-p-M10x32.*	95	M10	108	26	56.5	61.5	43	5	45	19	32	18	26	73
239829.*	ERZ.95-SST-p-M10x40.*	95	M10	108	26	56.5	61.5	43	5	45	19	40	18	26	75
239831.*	ERZ.95-SST-p-M10x50.*	95	M10	108	26	56.5	61.5	43	5	45	19	50	18	26	79
239833.*	ERZ.95-SST-p-M10x63.*	95	M10	108	26	56.5	61.5	43	5	45	19	63	18	26	85
239835.*	ERZ.95-SST-p-M10x80.*	95	M10	108	26	56.5	61.5	43	5	45	19	80	18	26	88
239849.*	ERZ.95-SST-p-M12x20.*	95	M12	108	26	56.5	61.5	43	5	45	19	20	18	28	113
239851.*	ERZ.95-SST-p-M12x25.*	95	M12	108	26	56.5	61.5	43	5	45	19	25	18	28	115
239853.*	ERZ.95-SST-p-M12x32.*	95	M12	108	26	56.5	61.5	43	5	45	19	32	18	28	118
239855.*	ERZ.95-SST-p-M12x40.*	95	M12	108	26	56.5	61.5	43	5	45	19	40	18	28	121
239857.*	ERZ.95-SST-p-M12x50.*	95	M12	108	26	56.5	61.5	43	5	45	19	50	18	28	128
239859.*	ERZ.95-SST-p-M12x63.*	95	M12	108	26	56.5	61.5	43	5	45	19	63	18	28	133
239861.*	ERZ.95-SST-p-M12x80.*	95	M12	108	26	56.5	61.5	43	5	45	19	80	18	28	141