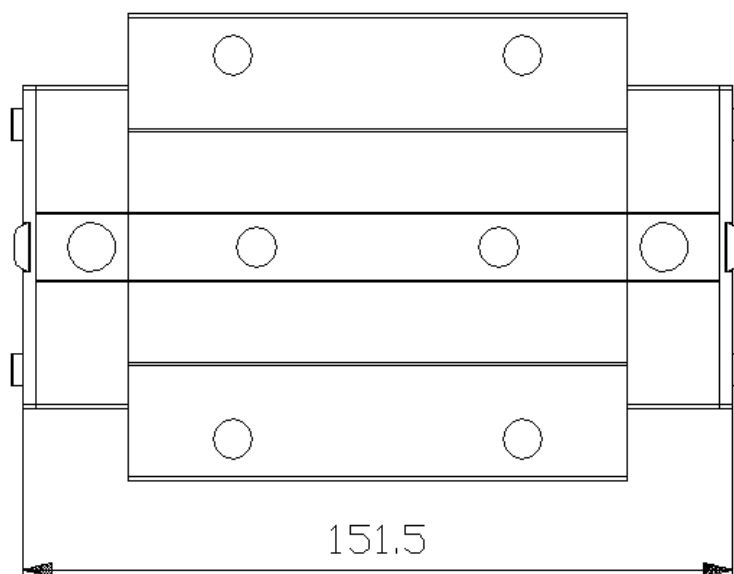


Dimensional drawing

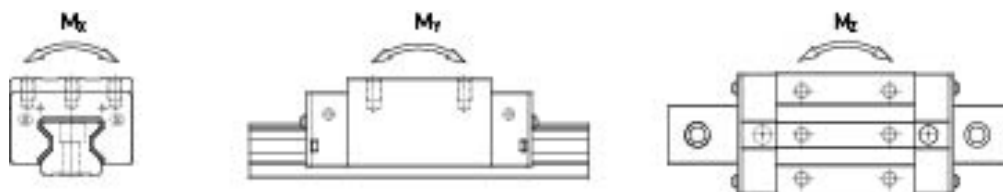


Configuration attributes:

CRGW35HCZAH+CS

Series	CRG	
Block type	W	flange block
Size	35	
Load type	H	super heavy load
Block mounting	C	from above or below
Block preload	ZA	medium preload
Precision code	H	
Rails per axis	1	
Sealing system	SS	
Cover strip	CS	Cover strip
Coating	N	ohne

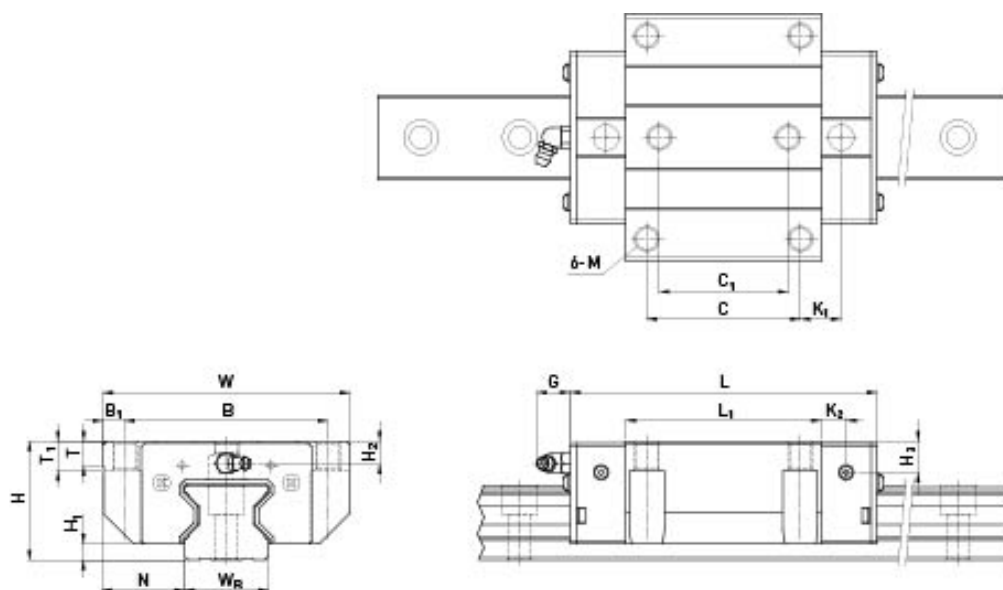
Load rates and moments



Series/ Size	Dynamic load rate C_{dyn} [N] ¹⁾	Static load rate C_0 [N]	Dynamic moment [Nm]			Static moment [Nm]		
			M_x	M_y	M_z	M_{0x}	M_{0y}	M_{0z}
CRG_35H	73100	142000	1508	1338	1338	2930	2600	2600

¹⁾ Dynamic load rate for 50,000 m travel distance

Block measurements [mm]



Series/ Size	Mounting dimensions [mm]			Load rates [N]		Weight [kg] m
	H	H_1	N	C_{dyn}	C_0	
CRGW35HC	48	6.5	33	73100	142000	2.4

Series/ Size	Block measurements [mm]																		
	W	B	B_1	C	C_1	L_1	L	K_1	K_2	M	G	G_n	T	T_1	T_2	H_2	H_3	L_k	L_{k1}
CRGW35HC	100	82	9	62	52	106.5	151.5	30.25	10	M10	12	-	12	13	-	9	12.6	-	-

Specifications for your order:

CRGW35HCZAH+CS
Block
preserved
CRGW35HCZAH (1 pcs.)

Note:

You can find information on lubrication and assembly in our assembly instructions
<https://www.hiwin.de/hiwin/de/EUR/service/downloads>